

### FEATURED MODEL

513-431 White, 9-1/2" and 9-1/2" bowl depths

### ADDITIONAL MODELS

513-430 Biscuit, 9-1/2" and 9-1/2" bowl depths

513-432 Anthracite, 9-1/2" and 9-1/2" bowl depths

513-433 Metallic Gray, 9-1/2" and 9-1/2" bowl depths

513-434 Café Brown, 9-1/2" and 9-1/2" bowl depths

### FEATURES

- 80% rock hard granite
- Color all the way through
- Highly resistant to scratching, staining and all household acids and alkali solutions
- Non-porous, easy-to-clean
- Heat resistant to 536° F
- Extremely hygienic, does not absorb odors or bacteria

### CODE/STANDARDS COMPLIANCE

ANSI Z124.6-97

IAPMO/UPC listed

### OPTIONAL ACCESSORIES

Sink Grids: 221-038 (Formerly 513-925)

221-039 (Formerly 513-926)

Colander: 215-651, 513-730

Cutting Board: 218-620

### WARRANTY

Blanco America's SILGRANIT® Series sinks feature a LIMITED LIFETIME WARRANTY to be free of all manufacturing defects under normal use. See our complete warranty for details.

While Blanco America endeavors to provide accurate information, all dimensions are nominal, cannot be guaranteed, and are subject to change or cancellation. Blanco America assumes no responsibility for use of superseded or voided specifications.

### PRODUCT SPECIFICATION

Undermount sink to be 1-3/4 bowl design, 33" in length and 20" in front-to-back depth. Sink to be made from Silgranit® hard composite material. Sink to feature rear drain placement and straight bowl sides with 5/8" cutout corners. Sink to be Blanco (Check one)

Model 513-430       Model 513-431

Model 513-432       Model 513-433

Model 513-434

with left bowl depth of 9-1/2" and right bowl depth of 9-1/2".

White 513-431

Biscuit 513-430

Anthracite 513-432

Metallic Gray 513-433

Café Brown 513-434

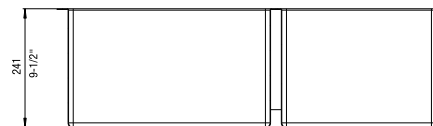
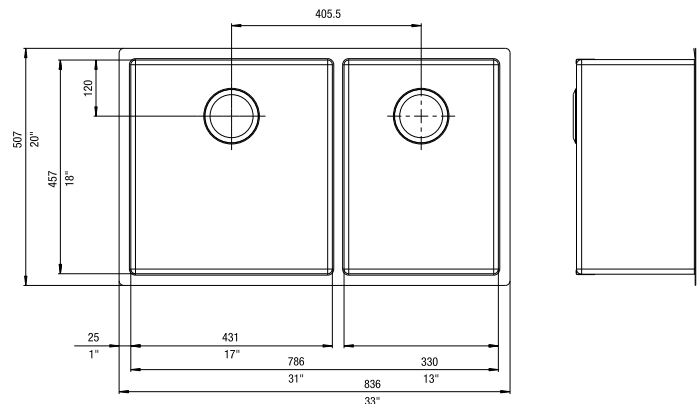


MODEL 513-431

### NOMINAL DIMENSIONS

OVERALL	CUTOUT SIZE	BOWL DEPTH LEFT	BOWL DEPTH RIGHT	DRAIN DIAMETER
33 x 20	—	9-1/2	9-1/2	3-1/2

DXF cutout templates available on our web site.



### JOB INFORMATION

Job Name: \_\_\_\_\_

Contact: \_\_\_\_\_

Date Specified: \_\_\_\_\_

Specifier: \_\_\_\_\_

Contractor: \_\_\_\_\_

**BLANCO AMERICA**

**800.451.5782**

**www.blancoamerica.com**

© 2008 BLANCO AMERICA

06/08

SPEC-003