

#### FEATURED MODEL

**515-545 Café Brown, 10" and 9" bowl depths**

#### ADDITIONAL MODELS

**515-541 Metallic Gray, 10" and 9" bowl depths**

**515-542 White, 10" and 9" bowl depths**

**515-543 Biscuit, 10" and 9" bowl depths**

**515-544 Anthracite, 10" and 9" bowl depths**

#### FEATURES

- 80% rock hard granite
- Color all the way through
- Highly resistant to scratching, staining and all household acids and alkali solutions
- Non-porous, easy-to-clean
- Heat resistant to 536° F
- Extremely hygienic, does not absorb odors or bacteria

#### CODE/STANDARDS COMPLIANCE

ANSI Z124.6-97

IAPMO/UPC listed

#### OPTIONAL ACCESSORIES

Sink Grids: 222-462 (Small Bowl)

222-464 (Large Bowl)

Colander: 514-015

Cutting Board: 222-589

#### WARRANTY

Blanco America's SILGRANIT® Series sinks feature a LIMITED LIFETIME WARRANTY to be free of all manufacturing defects under normal use. See our complete warranty for details.

While Blanco America endeavors to provide accurate information, all dimensions are nominal, cannot be guaranteed, and are subject to change or cancellation. Blanco America assumes no responsibility for use of superseded or voided specifications.

#### PRODUCT SPECIFICATION

Undermount sink to be 1-3/4 bowl design, 37-1/2" in length and 20-1/2" in front-to-back depth. Sink to be made from Silgranit® hard composite material. Sink to feature rear drain placement with left bowl depth of 10" and right bowl depth of 9". Sink to be Blanco (Check one):

- Model 515-541       Model 515-542  
 Model 515-543       Model 515-544  
 Model 515-545

- Metallic Gray 515-541       White 515-542  
 Biscuit 515-543       Anthracite 515-544  
 Café Brown 515-545

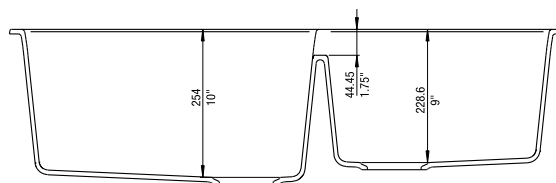
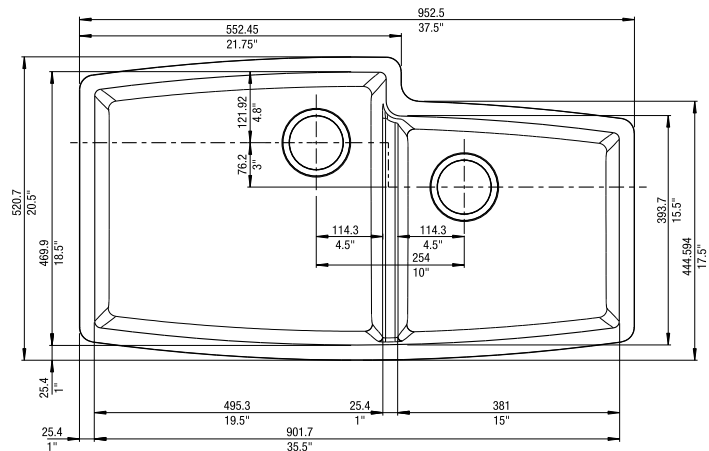


MODEL 515-545

#### NOMINAL DIMENSIONS

OVERALL	CUTOUT SIZE	BOWL DEPTH LEFT	BOWL DEPTH RIGHT	DRAIN DIAMETER
37-1/2 x 20-1/2	Template provided with 1/8" reveal	10	9	3-1/2

DXF cutout templates available on our web site.



#### JOB INFORMATION

Job Name: \_\_\_\_\_

Contact: \_\_\_\_\_

Date Specified: \_\_\_\_\_

Specifier: \_\_\_\_\_

Contractor: \_\_\_\_\_