

ELKAY[®]

SPECIFICATIONS

Gourmet[®] Undermount Single Bowl Sink Model ELU2816 and ELUH2816 Series

GENERAL

Highest quality sink formed of #18 (1.2mm) gauge, type 304 (18-8) nickel bearing stainless steel. Undermount.

DESIGN FEATURES

Bowl Depth: 7-1/2" (191mm) (ELU[H]2816), 10" (254mm) (ELU[H]281610), 11-1/2" (292mm) (ELU[H]281612).

Coved Corners: 1-3/4" (44mm) vertical and horizontal radius.

Finish: Exposed surfaces are hand blended to a lustrous satin finish.

Underside: Fully protected by heavy duty Sound Guard[®] undercoating to dampen sound and prevent condensation.

OTHER

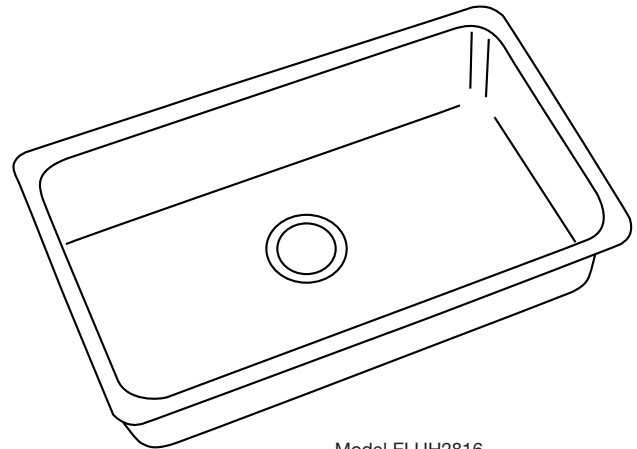
Drain Opening: 3-1/2" (89mm).

Note: All Elkay undermount sinks are designed to affix to the underside of any solid surface countertop.

These sinks comply with ASME A112.19.3 and CSA B45.4-02.



These sinks are listed by the International Association of Plumbing and Mechanical Officials as meeting the requirements of the Uniform Plumbing Code.



Model ELUH2816

OPTIONAL ACCESSORIES

Bottom Grid: LKWOBG2816SS.

Cutting Boards: CB1713, CBS1316 (ELUH models only).

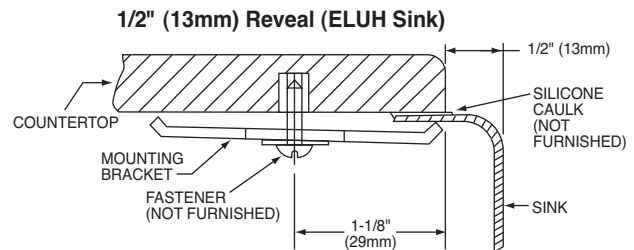
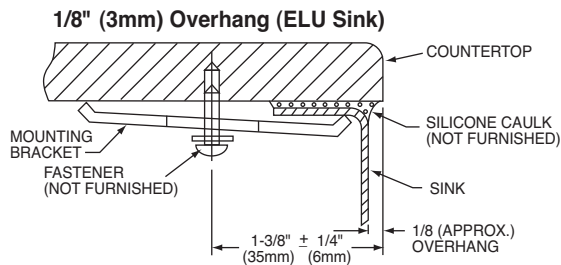
Drain: LK99.

Rinsing Baskets: LKW RB2816SS, LKW ERBSS.

Utensil Caddy for Rinsing Baskets: LKWUCSS.

Installation Profile of ELU and ELUH Single Bowl Models

The template provided with each ELU/ELUH sink provides the only type of installation recommended by Elkay.



SEE OTHER SIDE FOR PRODUCT DIMENSIONS.

In keeping with our policy of continuing product improvement, Elkay reserves the right to change product specifications without notice. Please visit elkayusa.com for most current version of Elkay product specification sheets.

This specification describes an Elkay product with design, quality and functional benefits to the user. When making a comparison of other producers' offerings, be certain these features are not overlooked.

**Gourmet® Undermount Single Bowl Sink
Model ELU2816 and ELUH2816 Series**

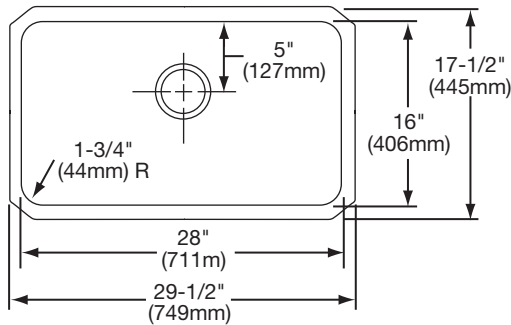
**ELKAY®
SPECIFICATIONS**

SINK DIMENSIONS*

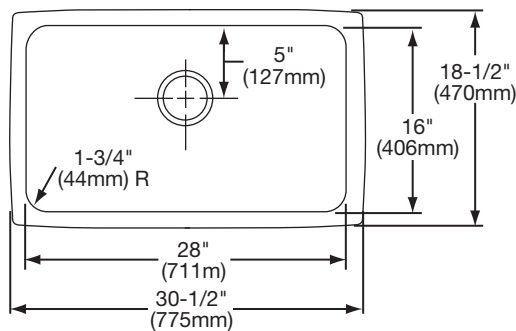
Model Number	Overall		Inside Each Bowl			Cutout in Countertop	Minimum Cabinet Size
	L	W	L	W	D		
ELU2816	29½" (749mm)	17½" (445mm)	28" (711mm)	16" (406mm)	7½" (191mm)	See Template**	33 (838mm)
ELU281610	29½" (749mm)	17½" (445mm)	28" (711mm)	16" (406mm)	10" (254mm)		33 (838mm)
ELU281612	29½" (749mm)	17½" (445mm)	28" (711mm)	16" (406mm)	11½" (292mm)		33 (838mm)
ELUH2816	30½" (775mm)	18½" (470mm)	28" (711mm)	16" (406mm)	7½" (191mm)		36 (914mm)
ELUH281610	30½" (775mm)	18½" (470mm)	28" (711mm)	16" (406mm)	10" (254mm)		36 (914mm)
ELUH281612	30½" (775mm)	18½" (470mm)	28" (711mm)	16" (406mm)	11½" (292mm)		36 (914mm)

*Length is left to right. Width is front to back.

**Template and countertop mounting clips are packed with every sink.



Model ELU2816 Series



Model ELUH2816 Series

