

ELKAY[®]

SPECIFICATIONS

elumina™ by Elkay Undermount Double Bowl Sink Models EGUH3119 and EGUH311910 Series

GENERAL

Fine quality sink bowls seamlessly formed of #18 gauge, type 304 nickel bearing stainless steel.

DESIGN FEATURES

Bowl Depth: 8" (EGUH3119L/EGUH3119R); 8" small bowl, 10" large bowl (EGUH311910L/EGUH311910R).

Finish: Exposed surfaces are polished to a non-directional soft satin finish.

Underside: Sound absorbing pads applied to dampen sound. Aqueduct (recessed partition) allows water to flow to adjacent bowl before overflowing sink.

OTHER

Drain Opening: 3-1/2".

Note: All Elkay undermount sinks are designed to affix easily to the underside of any solid surface countertop.

OPTIONAL ACCESSORIES

Rinsing Baskets: LKRB1611 (large bowl) or LKERBSS (large bowl).

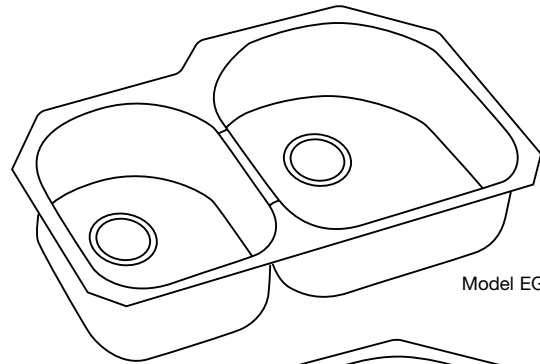
Bottom Grid: LKOBG1716 (large bowl).

Cutting Board: CB1713 (large bowl).

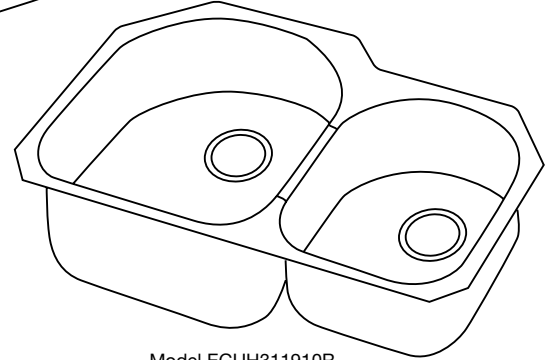
These sinks comply with ANSI Standard A112.19.3M.



These sinks are listed by the International Association of Plumbers and Mechanical Officials as meeting the requirements of the Uniform Plumbing Code.



Model EGUH3119L



Model EGUH311910R

SINK DIMENSIONS (INCHES)*

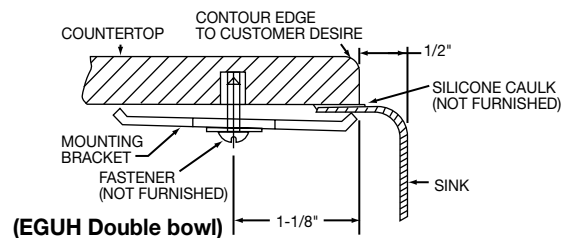
Model Number	Overall		Inside Left Bowl			Inside Right Bowl			Cutout in Countertop	Minimum Cabinet Size	Ship. Wt. Lbs.
	L	W	L	W	D	L	W	D			
EGUH3119L	31 1/4	20	11 1/2	15	8	16	17 1/2	8	See Template**	36	23
EGUH311910L	31 1/4	20	11 1/2	15	8	16	17 1/2	10		36	25
EGUH3119R	31 1/4	20	16	17 1/2	8	11 1/2	15	8		36	23
EGUH311910R	31 1/4	20	16	17 1/2	10	11 1/2	15	8		36	25

*Length is left to right. Width is front to back.

**Template and countertop mounting clips are packed with every sink.

Installation Profile of EGUH Double Bowl Models

The template provided with each EGUH sink provides the only type of installation recommended by Elkay.



SEE OTHER SIDE FOR PRODUCT DIMENSIONS.

ALL DIMENSIONS IN INCHES, TO CONVERT TO MILLIMETERS MULTIPLY BY 25.4.

In keeping with our policy of continuing product improvement, Elkay reserves the right to change product specifications without notice.

This specification describes an Elkay product with design, quality and functional benefits to the user. When making a comparison of other producers' offerings, be certain these features are not overlooked.

elumina™ by Elkay Undermount Double Bowl Sink
Models EGUH3119 and EGUH311910 Series

ELKAY®
SPECIFICATIONS

