

# ELKAY<sup>®</sup>

## SPECIFICATIONS

### elumina™ by Elkay Double Bowl Sink Model EG3322

#### GENERAL

Fine quality sink bowls seamlessly formed of #18 (1.2mm) gauge, type 304 nickel bearing stainless steel. Self-rimming.

#### DESIGN FEATURES

Bowl Depth: 8-1/4" (210mm).

Coved Corners: 3" (76mm) vertical and 2-1/4" (57mm) horizontal radius.

Bowl and Faucet Deck Recess: 3/8" (10mm) below outside edge of sink.

Finish: Exposed surfaces are polished to a non-directional soft satin finish.

Underside: Sound absorbing pads applied to dampen sound.

Aqueduct (recessed partition) allows water to flow to adjacent bowl before overflowing sink.

#### OTHER

Drain Opening: 3-1/2" (89mm).

NOTE: Unless otherwise specified, sink is furnished with 4 faucet holes as shown.

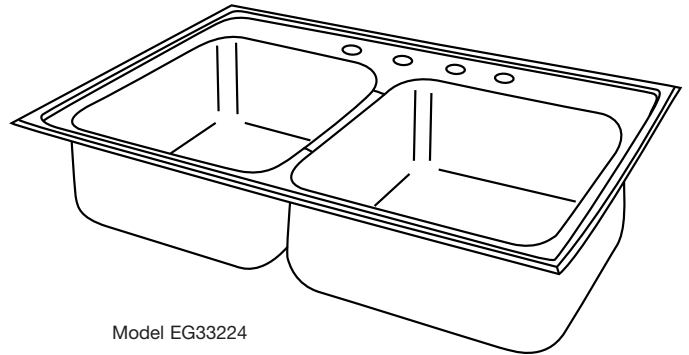
This sink complies with ASME A112.19.3.

#### OPTIONAL ACCESSORIES

Rinsing Baskets: LKRB1611 or LKERBSS.

Bottom Grid: LKOBG1416.

Cutting Board: CB1516.

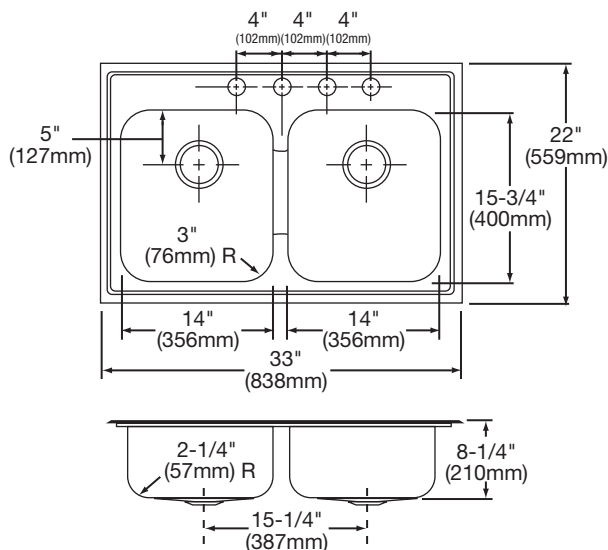


Model EG33224

#### SINK DIMENSIONS\*

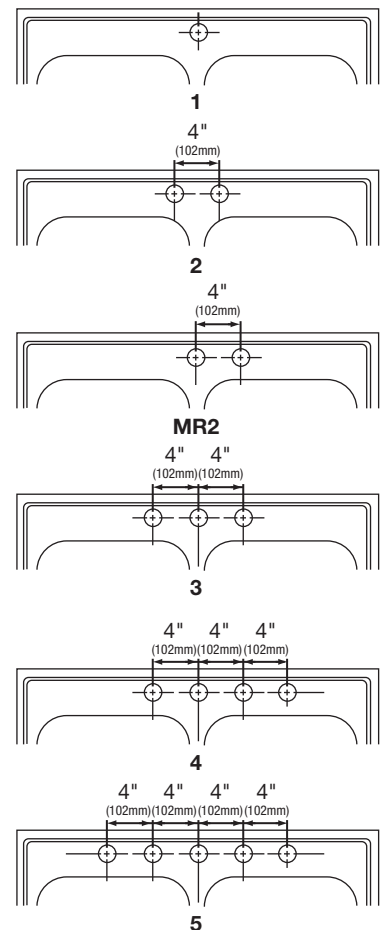
Model Number	Overall		Inside Each Bowl			Cutout in Countertop [1 1/2" (38mm) Radius Corners]		No. of 1 1/2" (38mm) Dia. Faucet Holes 4" (102mm) Center	Minimum Cabinet Size
	L	W	L	W	D	L	W		
EG3322	33 (838mm)	22 (559mm)	14 (356mm)	15 3/4 (400mm)	8 1/4 (210mm)	32 3/8 (822mm)	21 3/8 (543mm)	1, 2, MR2, 3, 4 or 5	36 (914mm)

\*Length is left to right. Width is front to back.



Model EG33224 Illustrated

#### HOLE DRILLING CONFIGURATIONS



In keeping with our policy of continuing product improvement, Elkay reserves the right to change product specifications without notice. Please visit [elkayusa.com](http://elkayusa.com) for most current version of Elkay product specification sheets.

This specification describes an Elkay product with design, quality and functional benefits to the user. When making a comparison of other producers' offerings, be certain these features are not overlooked.

Elkay

[elkayusa.com](http://elkayusa.com)

2222 Camden Court  
Oak Brook, IL 60523

Printed in U.S.A.  
©2008 Elkay

(Rev. 7/08)

1-200A