

# ELKAY® SPECIFICATIONS

## The Mystic™ by Elkay Undermount Sink Models MYSTIC2812 and MYSTIC281235

### GENERAL

Highest quality contoured sink formed of #16 (1.6mm) gauge, type 304 (18-8) nickel bearing stainless steel. Comes complete with LK8 (MYSTIC2812) or LK99 (MYSTIC281235) drain.

### DESIGN FEATURES

Bowl Depth: Sloping from 2-5/8" (67mm) to 4-1/2" (114mm).

Finish: Exposed surfaces are hand blended to a lustrous satin finish.

Underside: Fully undercoated to dampen sound and prevent condensation.

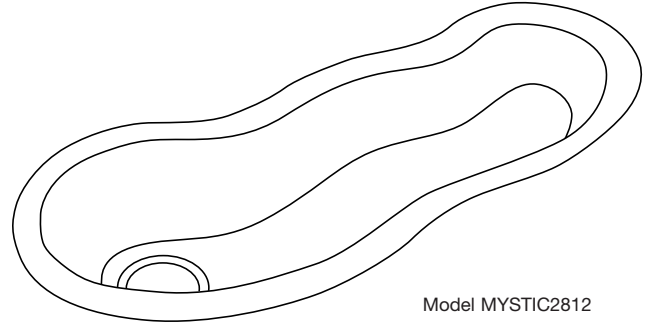
### OTHER

Drain Opening: 2" (51mm) (MYSTIC2812), 3-1/2" (89mm) (MYSTIC281235).

Note: All Elkay undermount sinks are designed to affix to the underside of any solid surface countertop.

Installation: See illustrated profile below.

These sinks comply with ASME A112.19.3.



Model MYSTIC2812

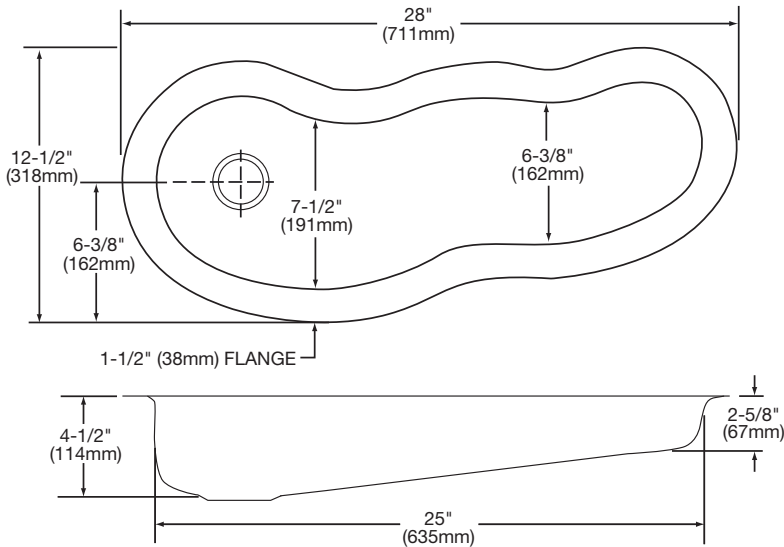
### SINK DIMENSIONS\*

Model Number	Overall		Inside Bowl			Drain Opening	Cutout in Countertop	Minimum Cabinet Size
	L	W	L	W	D			
MYSTIC2812	28 (711mm)	12 1/2 (318mm)	25 (635mm)	† 2 5/8 to 4 1/2 (67mm) (114mm)		2 (51mm)	See Template**	33 (838mm)
MYSTIC281235	28 (711mm)	12 1/2 (318mm)	25 (635mm)	† 2 5/8 to 4 1/2 (67mm) (114mm)		3 1/2 (89mm)		33 (838mm)

\*Length is left to right. Width is front to back.

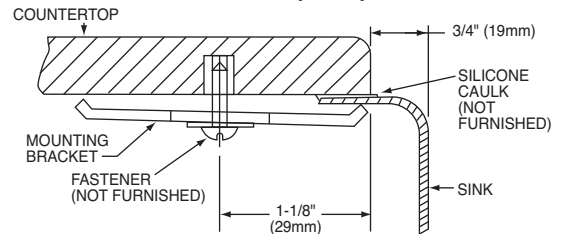
\*\*Template and countertop mounting clips are packed with every sink.

†See below for an illustration.



### Installation Profile

The template provided with each sink provides the only type of installation recommended by Elkay.



In keeping with our policy of continuing product improvement, Elkay reserves the right to change product specifications without notice. Please visit [elkayusa.com](http://elkayusa.com) for most current version of Elkay product specification sheets.

This specification describes an Elkay product with design, quality and functional benefits to the user. When making a comparison of other producers' offerings, be certain these features are not overlooked.

**Elkay**

[elkayusa.com](http://elkayusa.com)

2222 Camden Court  
Oak Brook, IL 60523

Printed in U.S.A.  
©2008 Elkay

(Rev. 7/08) 1-221B