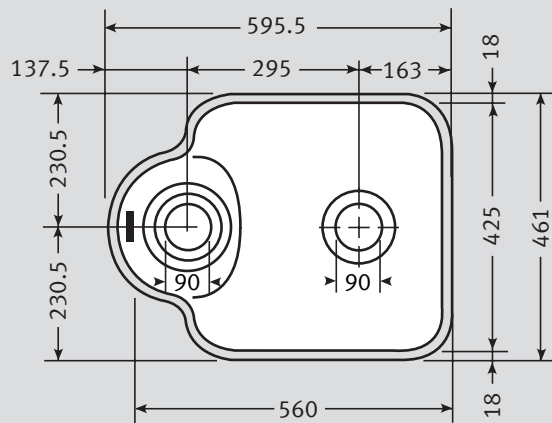


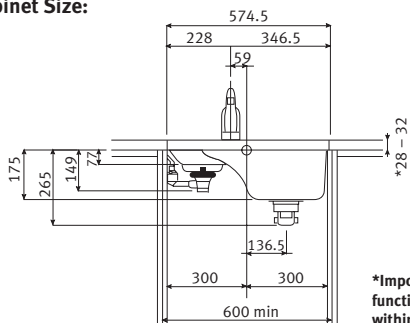
# Beach BBX 160 Specifications

- Undermounted Sink System
- Fits 600mm base module
- Unique high design concept with half bowl innovations
- Large diagonal bowl/deep bowl dimension
- 2 x 90mm pop-up Wastes with Basket Strainer Wastes. Capable of adaptation to take Waste Disposal Unit
- Unique stainless steel accessories including 'lock in bowl'
- Full accessory set supplied
- Available as a Designer Pack



<b>Material:</b>	Stainless Steel
<b>Application:</b>	Undermount
<b>Bowl size:</b>	560 x 425 x 175
<b>Drainer Format:</b>	N/A
<b>Cut-out Size:</b>	Utilise template
<b>Colour:</b>	Silk Stainless Steel
<b>Seal:</b>	Apply sealant locally
<b>Insulation:</b>	Black Pads for heat and sound
<b>Heat Resistance:</b>	Up to 300°C
<b>Earthing Point:</b>	Utilise frame/earthing angle supplied

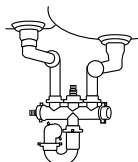
## Cabinet Size:



**\*Important - the accessories will not function unless worktop thickness is within range of 28-32mm.**

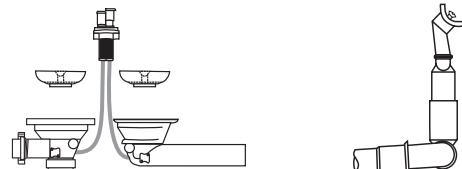
**Fixing Clips:** Not applicable

**Suggested Plumbing Kit:** 2 part



**Waste:** 2 x Lira 90mm Basket Strainer Wastes with overflow & pop-up assembly.

**Overflow:**



## Accessories Available:



**Lock-in Bowl**  
(with bayonet fixing)



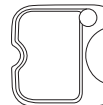
**Measuring Bowl**  
Gleaming Stainless Steel (with calibration)



**Colander**  
Stainless Steel



**Grille**  
Stainless Steel



**Food Preparation Platter**  
Hygienia (with juice collection recesses on the reverse)

**Taps:** Any Franke tap can be utilised with this model\*. Tap sited on worktop

\*Ceramic disc taps in certain installations or where there is a low head of water (below 4 metres) may not provide adequate flow rates. You are advised to check with your supplier.

**Guarantee:** Franke sinks are guaranteed for 25 years against manufacturing defect. Franke taps are guaranteed against defective materials and workmanship for 1 year in relation to coatings and finishes, and 5 years in relation to moving parts. Franke will replace (and where appropriate repair) defective sinks. In relation to taps, Franke will where appropriate provide replacement parts for your taps or replace your taps. Any associated or ancillary costs to be incurred by you as a result of replacement of Franke sinks and taps under this guarantee shall in all cases be previously approved by Franke UK Limited.

This guarantee is in addition to and does not affect your statutory rights.