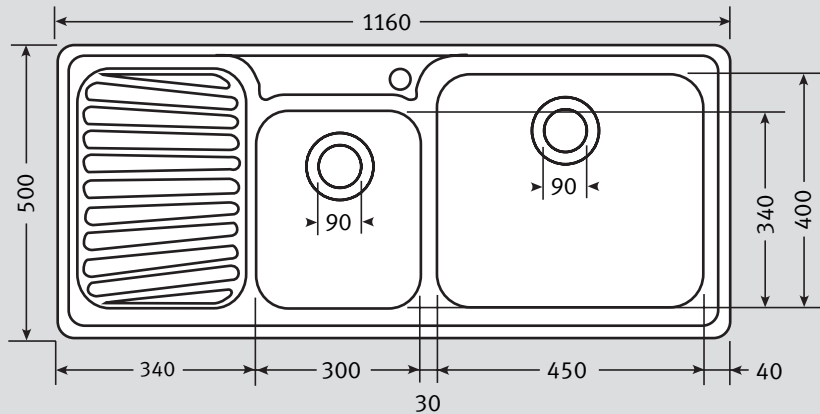


Infinito INX 621 Specifications

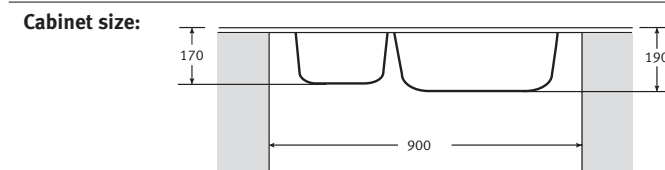
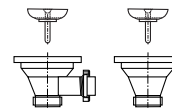
- Modern functional design
- Extra large multi-purpose bowl
- Provides useful large second bowl
- 2 x 90mm Wastes with Basket Strainer Waste on all bowls. Capable of adaptation to take Waste Disposal Unit
- Wastes at rear of bowls
- 3 colours of bespoke accessories available



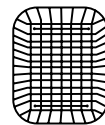
Material:	Stainless Steel
Application:	Inset
Bowl size:	450 x 400 x 190 } Bowls welded to frame 300 x 340 x 170
Drainer Format:	Left or right hand drainer available
Cut-out size:	1140 x 480 (cr=20)
Colour:	Silk Stainless Steel
Seal:	Sealing strip supplied
Insulation:	Factory fitted black pads
Heat Resistance:	Up to 300°C
Earthing Point:	Utilise clip rail slots

Waste: 1 x Lira 90mm Basket Strainer Waste with overflow
1 x Lira 90mm Basket Strainer Waste

Overflow:



Accessories available:



Drainer Basket
Available in White, Almond or Brown

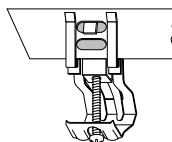


Food Preparation Platter
Mahogany

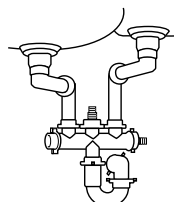
Sink Profile: Folded edge



Fixing Clips:



Suggested Plumbing Kit: 2 part



Taps: Any Franke tap can be utilised with this model*

*Ceramic disc taps in certain installations or where there is a low head of water (below 4 metres) may not provide adequate flow rates. You are advised to check with your supplier.

Some taps may need bracing to avoid flexing of the sink ledge.

Guarantee: Franke sinks are guaranteed for 25 years against manufacturing defect. Franke taps are guaranteed against defective materials and workmanship for 1 year in relation to coatings and finishes, and 5 years in relation to moving parts. Franke will replace (and where appropriate repair) defective sinks. In relation to taps, Franke will where appropriate provide replacement parts for your taps or replace your taps. Any associated or ancillary costs to be incurred by you as a result of replacement of Franke sinks and taps under this guarantee shall in all cases be previously approved by Franke UK Limited.

This guarantee is in addition to and does not affect your statutory rights.