

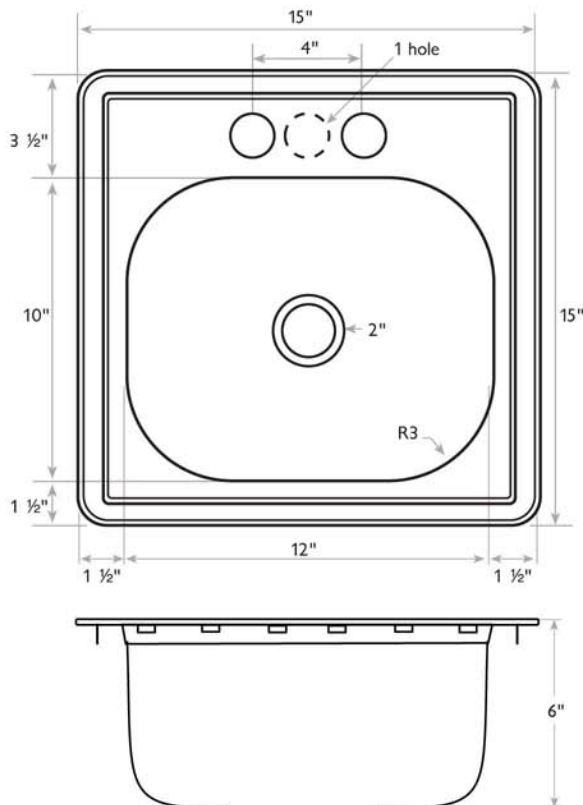
- Reinforced Safe-T Rim**  
 Our unique one-step manufacturing technique creates smooth, rolled edges to protect from cuts during handling and to strengthen the rim.
- Integrated Installation Rails**  
 Our manufacturing process creates and forms installation rails as the bowls are pressed, as opposed to the traditional welding method of attaching them separately.
- Sound-Deadening Pads**  
 Pads cover the bottom of the bowl to insulate from excess noise and vibration.
- Easy Installation**  
 Pre-Attached clips make installation simple.



Faucet & Strainer Included!

Fits 18" Cabinet

Model #	Faucet Holes	Finish Deck/Bowl	Bowl Size ↕ X ↔	Sink Depth	Overall Dimension	Gauge	Cutout Dimension
BFS602 Includes faucet and strainer.	2	Satin	10" x 12"	6"	15" x 15"	22	14 1/4" x 14 1/4" 1" Radius



JOB NAME: \_\_\_\_\_

DATE: \_\_\_\_\_

CUSTOMER: \_\_\_\_\_

MODEL SPECIFIED: \_\_\_\_\_

QUANTITY: \_\_\_\_\_

ARCHITECT/ENGINEER: \_\_\_\_\_

CONTRACTOR: \_\_\_\_\_