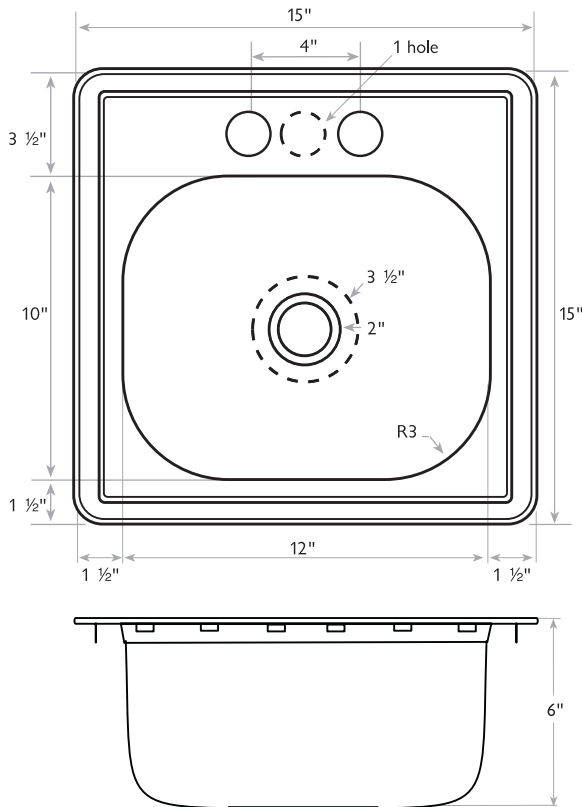


- Reinforced Safe-T Rim**
 Our unique one-step manufacturing technique creates smooth, rolled edges to protect from cuts during handling and to strengthen the rim.
- Integrated Installation Rails**
 Our manufacturing process creates and forms installation rails as the bowls are pressed, as opposed to the traditional welding method of attaching them separately.
- Sound-Deadening Pads**
 Pads cover the bottom of the bowl to insulate from excess noise and vibration.
- Easy Installation**
 Pre-Attached clips make installation simple.



Fits 18" Cabinet

Model #	Faucet Holes	Finish Deck/Bowl	Bowl Size ↕ × ↔	Sink Depth	Overall Dimension	Gauge	Cutout Dimension
BS601BX	1	Satin	10" x 12"	6"	15" x 15"	22	14 1/4" x 14 1/4" 1" Radius
BS602BX	2						
BS602-35BX	2						
Accepts 3 1/2" Drain.							



JOB NAME: _____

DATE: _____

CUSTOMER: _____

MODEL SPECIFIED: _____

QUANTITY: _____

ARCHITECT/ENGINEER: _____

CONTRACTOR: _____