



Included Accessories



BG70S BG70S

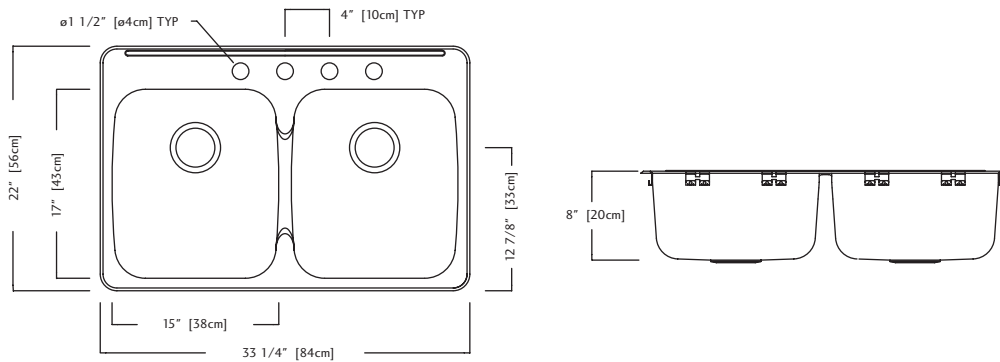
Optional Accessories



MB1710



Certified



CDL2233/8S SPECIFICATION

Model CDL2233/8S is a double (two equal size) bowl ledgeback sink with Spillway manufactured for Franke Consumer Products from 20 gauge stainless steel. Product has a silk finished rim and satin finished bowls. Sink is fully undercoated. Basket strainer waste fittings (3 1/2", 89 mm) and installation kit are included. Sink is backed with a limited buyer lifetime warranty.

- O.D. 22" x 33 1/4" x 8" deep (56 x 84 x 20 cm deep)
- **Recommended for minimum 36" base cabinet**

CDL2233/8S/3 3 hole - 1 1/2" diameter, 4" center-to-center FUN# 101.0062.340

CDL2233/8S/4 4 hole - 4th hole on right hand side FUN#101.0062.341

CDL2233/8S/1 1 hole on center FUN# 101.0062.339