



Included Accessories



DT1614



BG11S

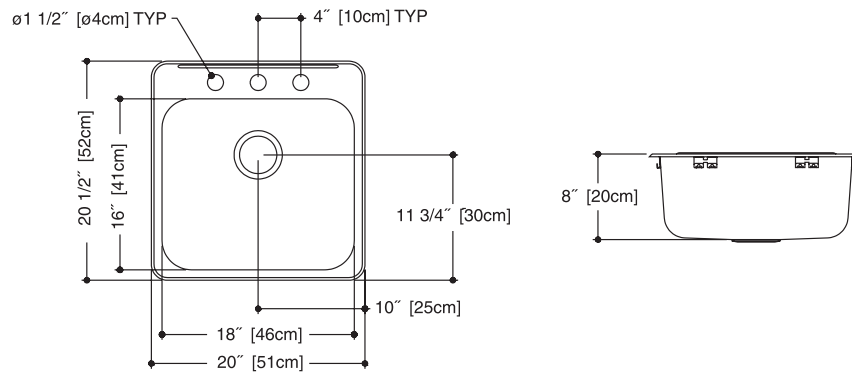
Optional Accessories



MB1610



CT11W



CSL2020/8S SPECIFICATION

Model CSL2020/8S is a single bowl, ledgeback sink manufactured for Franke Consumer Products from 20 gauge stainless steel. Product has a silk finished rim and satin finished bowl. Sink is fully undercoated. Basket strainer waste fitting (3 1/2", 89 mm) and installation kit are included. Sink is backed with a limited buyer lifetime warranty.

- O.D. 20 1/2" x 20" x 8" (52 x 51 x 20 cm)
- **Recommended for minimum 24" cabinet**

CSL2020/8S/3 3 hole - 1 1/2" diameter, 4" center-to-center **FUN# 101.0062.333**

CSL2020/8S/4 4 hole - 4th hole on right hand side **FUN# 101.0062.334**

CSL2020/8S/1 1 hole on center **FUN# 101.0062.335**