



Included Accessories

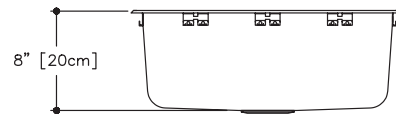
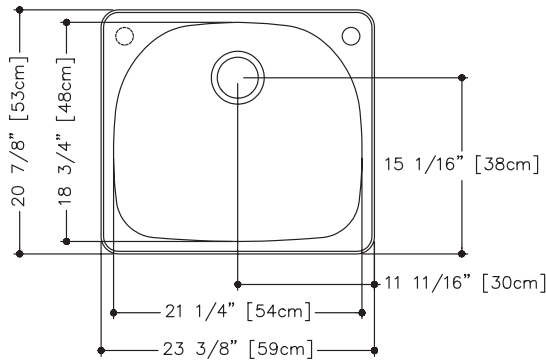


BG20S

Optional Accessories



MB20



CSX2123/8S SPECIFICATION

Model CSX2123/8S is a single D-shaped bowl manufactured for Franke Consumer Products from 20 gauge stainless steel. Product has a silk finished rim and satin finished bowl. Sink is fully undercoated. Basket strainer waste fitting (3 1/2", 89 mm) and installation kit are included. Sink is backed with a limited buyer lifetime warranty.

- O.D. 20 7/8" x 23 3/8" x 8 (53 x 59 x 20 cm)
- **Recommended for minimum 27" cabinet**

CSX2123/8S/1R 1 hole (right), 1 1/2" diameter FUN# 101.0062.336

CSX2123/8S/1L 1 hole (left), 1 1/2" diameter FUN# 101.0062.337

CSX2123/8S/2 2 hole, as shown FUN# 101.0062.338