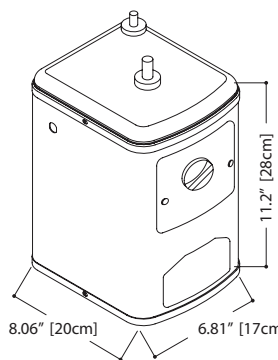


## Kindred Always Hot Tank



**UL LISTED**  
Hot Water Tank Only


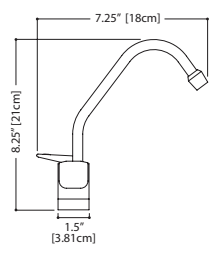
**CSA**  
Tank Certified to CSA Electrical Standard C22.2 No. 64-M91



8.06" [20cm]      6.81" [17cm]      11.2" [28cm]

<b>KHW780 (Tank) FUN# 119.0061.169</b>	
<b>TANK CAPACITY</b>	5/8 gallon (2.3L) Up to 60 cups per hour
<b>TANK DIMENSIONS</b>	11.2" high x 6.8" wide x 8.1" deep (284mm x 173mm x 206mm)
<b>TEMPERATURE RANGE</b>	140°F to 190°F (60°C to 88°C)
<b>HEATING ELEMENT</b>	115 volts, 60Hz
<b>TANK FINISH</b>	Coated Steel Insulated
<b>CONNECTION</b>	Quick Connect Installed Power Cord
<b>TANK WARRANTY</b>	One year replacement

### KHW100


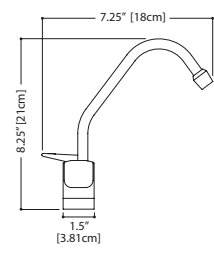
7.25" [18cm]  
8.25" [21cm]  
1.5" [3.81cm]

**CHROME FINISH  
GOOSENECK DISPENSER  
WITH TANK**

One Year Replacement  
Warranty

**FUN# 119.0061.166**

### KHW150


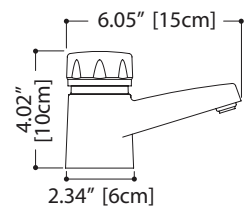
7.25" [18cm]  
8.25" [21cm]  
1.5" [3.81cm]

**SATIN NICKEL FINISH  
GOOSENECK DISPENSER  
WITH TANK**

One Year Replacement  
Warranty

**FUN# 119.0061.165**

### KHW101


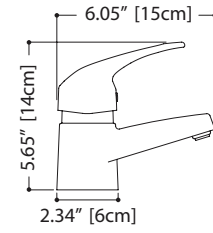
6.05" [15cm]  
4.02" [10cm]  
2.34" [6cm]

**CHROME FINISH  
TWIST DISPENSER  
WITH TANK**

One Year Replacement  
Warranty

**FUN# 119.0061.168**

### KHW102

6.05" [15cm]  
5.65" [14cm]  
2.34" [6cm]

**CHROME FINISH  
LOOPED DISPENSER  
WITH TANK**

One Year Replacement  
Warranty

**FUN# 119.0061.167**