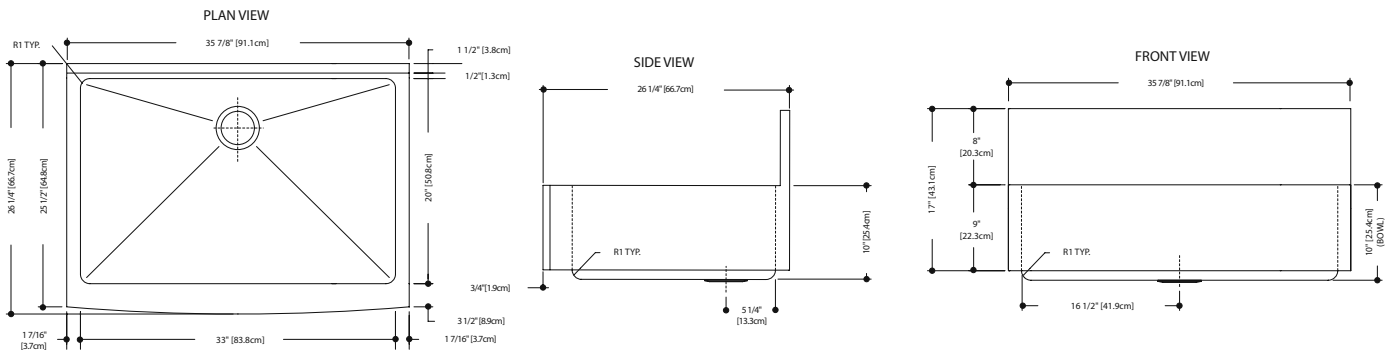
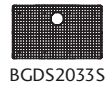




Optional Accessories



KCBS36B/10 SPECIFICATION

Model KCBS36B/10 is a single bowl, bow front backsplash sink, 25 mm radius coved corners, manufactured for Franke Consumer Products from 18 gauge, 18-10 stainless steel. All exposed surfaces have a #4 commercial satin finish. Sink has sound deadening pads and is fully undercoated. Basket strainer waste fitting (3 1/2", 89 mm) is included. Backsplash is reinforced with a high density fiberboard core. Sink is backed with a limited buyer lifetime warranty.

- O.D. 25 1/2" x 35 7/8" x 10" (64.7 x 91.0 x 25.4 cm)
- **Recommended for minimum 36" base cabinet**

FUN# 123.0055.564