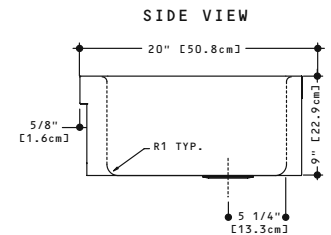
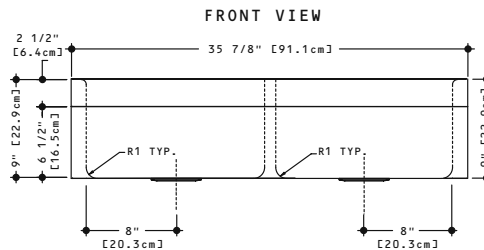
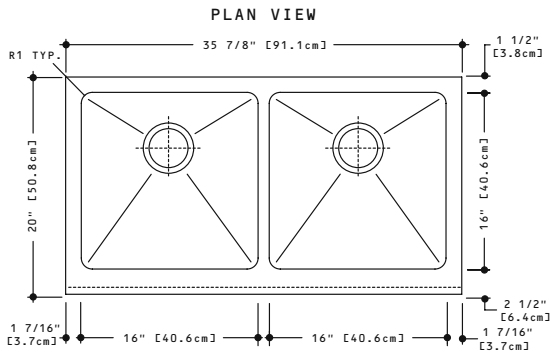
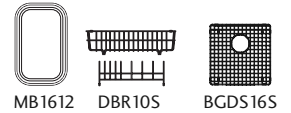




Optional Accessories



KCFD36A/9 SPECIFICATION

Model KCFD36A/9 is a double bowl farmhouse sink with a 9" linear front apron, 25 mm radius coved corners, manufactured for Franke Consumer Products from 18 gauge, 18-10 stainless steel. All exposed surfaces have a #4 commercial satin finish. Sink has sound deadening pads and is fully undercoated. Basket strainer waste fittings (3 1/2", 89 mm) and template for undermount application are included. Sink is backed with a limited buyer lifetime warranty.

- O.D. 20" x 35 7/8" x 9" (50.8 x 91.1 x 22.9 cm)
- **Recommended for minimum 36" base cabinet**

FUN# 123.0055.607