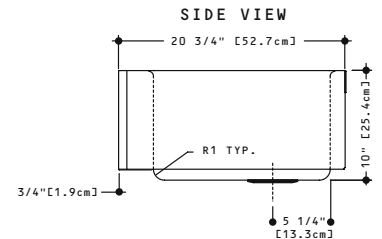
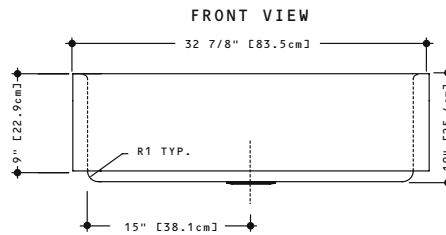
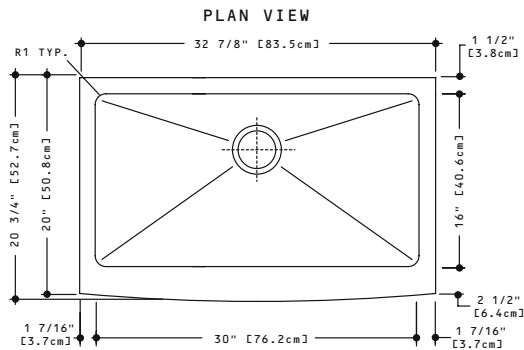
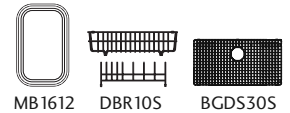




Optional Accessories



KCFS33B/10 SPECIFICATION

Model KCFS33B/10 is a single bowl farmhouse sink with a 9" bow front apron, 25 mm radius coved corners, manufactured for Franke Consumer Products from 18 gauge, 18-10 stainless steel. All exposed surfaces have a #4 Commercial satin finish. Sink has sound deadening pads and is fully undercoated. Basket strainer waste fitting (3/12", 89 mm) and template for undermount application are included. Sink is backed with a limited buyer lifetime warranty.

- O.D. 20 3/4" x 32 7/8" x 10" (52.7 x 83.5 x 25.4 cm)
- **Recommended for minimum 33" base cabinet**

FUN# 123.0055.604