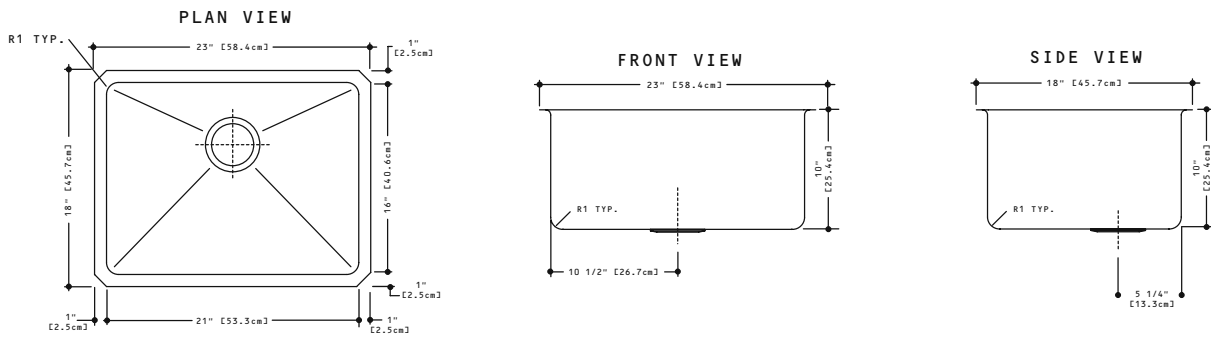
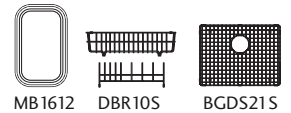




Optional Accessories



KCUS24A/10 SPECIFICATION

Model KCUS24A/10 is a single bowl undermount sink, with 25mm radius coved corners, manufactured for Franke Consumer Products from 18 gauge, 18-10 stainless steel. All exposed surfaces have a #4 commercial satin finish. Sink has sound deadening pads and is fully undercoated. Basket strainer waste fitting (3 1/2", 89 mm) and template are included. Sink is backed with a limited buyer lifetime warranty.

- O.D. 18" x 23" x 10" (45.7 x 58.4 x 25.4 cm)
- **Recommended for minimum 24" base cabinet**

FUN# 123.0055.617