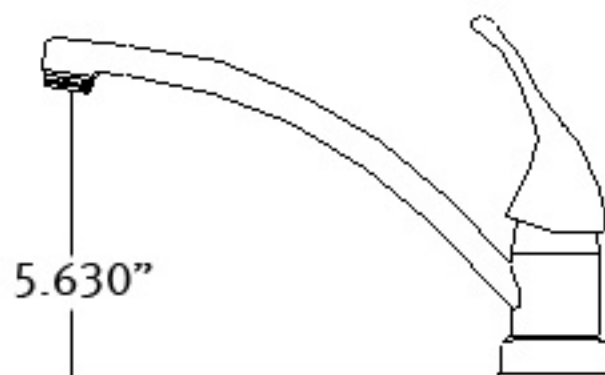
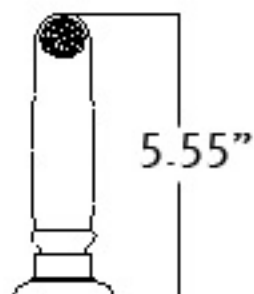
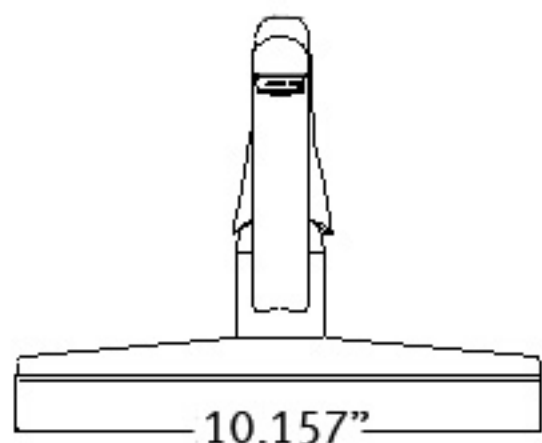


KF100 - Chrome Finish
KF180 - Satin Nickel Finish



JOB NAME: _____

DATE: _____

CUSTOMER: _____

MODEL SPECIFIED: _____

QUANTITY: _____

ARCHITECT/ENGINEER: _____

CONTRACTOR: _____