

UNDERCOUNTER SINK K-3183

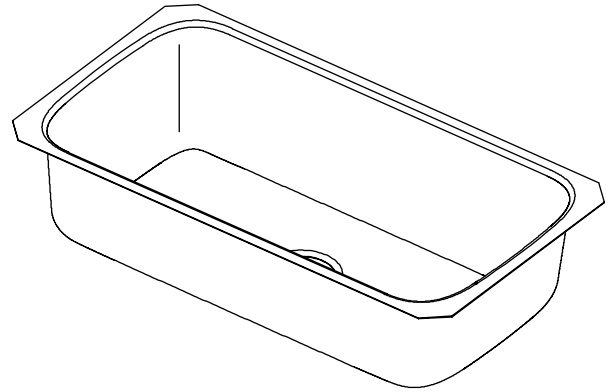
Features

- 18 gauge stainless steel
- Undercounter
- Single compartment
- Includes installation hardware
- 7-5/8" (19.4 cm) deep basin
- 29-1/2" (74.9 cm) x 15-3/4" (40 cm)

Codes/Standards Applicable

Specified model meets or exceeds the following:

- ASME A112.19.3
- IAPMO/UPC
- CSA B45



Colors/Finishes

- NA: None applicable

Accessories:

- CP: Polished Chrome
- ST: Stainless Steel
- NA: None applicable
- Other: Refer to Price Book for additional colors/finishes

Specified Model

Model	Description	Colors/Finishes
K-3183	Undercounter sink	<input type="checkbox"/> NA

Optional Accessories		
K-3119	Hardwood cutting board	<input type="checkbox"/> NA
K-3133	Stainless steel bottom basin rack	<input type="checkbox"/> ST
K-8801	Duostrainer® sink strainer	<input type="checkbox"/> CP <input type="checkbox"/> Other_____
K-8813	Stainless steel sink strainer with tailpiece	<input type="checkbox"/> CP
K-8814	Stainless steel sink strainer less tailpiece	<input type="checkbox"/> CP

Product Specification

The undercounter sink shall be 29-1/2" (74.9 cm) in length and 15-3/4" (40 cm) in width. Sink shall have 7-5/8" (19.4 cm) deep basin. Sink shall be made of 18 gauge stainless steel. Sink shall be a single compartment. Sink shall include installation hardware. Sink shall be Kohler Model K-3183.

UNDERTONE™

Technical Information

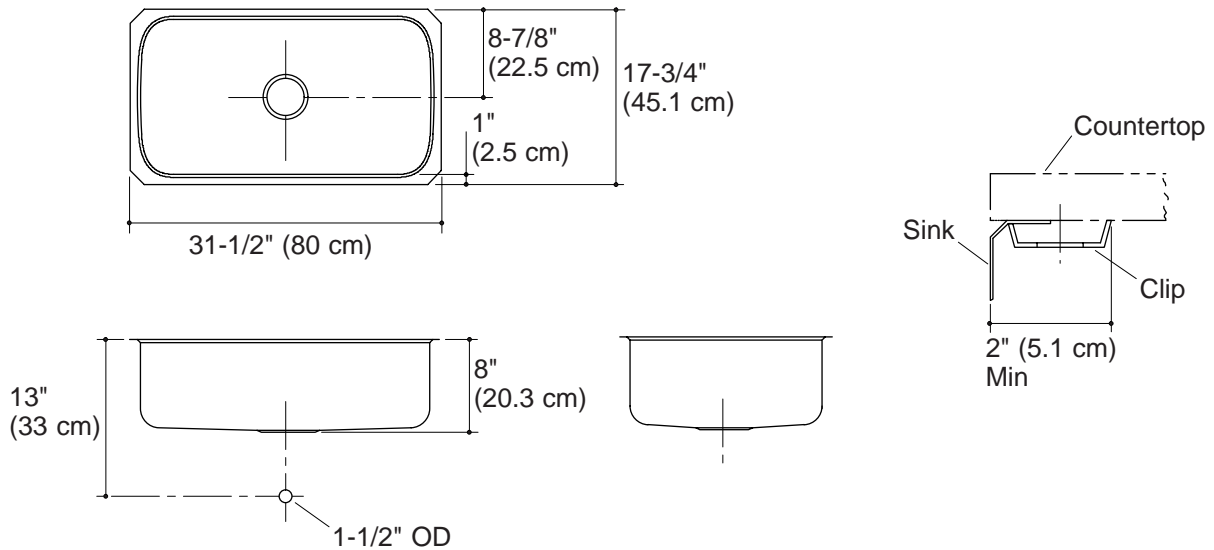
Fixture*:	
Basin area	29-1/2" (74.9 cm) x 15-3/4" (40 cm)
Water depth	7-5/8" (19.4 cm)
Drain hole	3-5/8" (9.2 cm) D.
*Approximate measurements for comparison only.	

Included components:	
Hardware kit	91915
Cut-out template	1016732-7

Installation Notes

Install this product according to the installation guide.

Allow a minimum of 2" (5.1 cm) clearance around the sink rim for clip attachment.



Product Diagram