

UNDERCOUNTER SINK K-3157

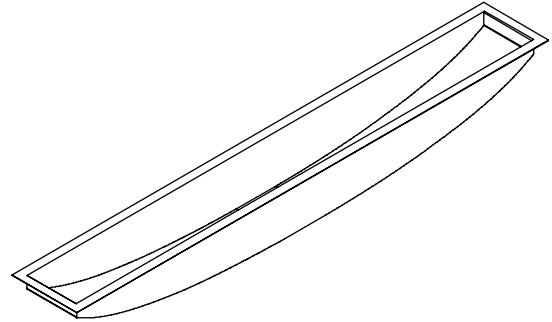
Features

- 16 gauge stainless steel
- Undercounter
- Single compartment
- Includes installation hardware
- Includes wire basket and rack
- 58" (147.3 cm) x 6-1/4" (15.9 cm)

Codes/Standards Applicable

Specified model meets or exceeds the following:

- ASME A112.19.3
- IAPMO/UPC
- CSA B45



Colors/Finishes

- NA: None applicable

Accessories:

- CP: Polished Chrome
- ST: Stainless Steel
- Other: Refer to Price Book for additional colors/finishes

Specified Model

Model	Description	Colors/Finishes	
K-3157 (ships as K-3189)	Undercounter sink	<input type="checkbox"/> NA	
Included Accessories			
K-3127	Wire basket	<input type="checkbox"/> ST	
K-3137	25" (63.5 cm) wire rack	<input type="checkbox"/> ST	
Optional Accessories			
K-2989	Countertop cutting board	<input type="checkbox"/> ST	
K-3136	Additional 15" (38.1 cm) wire rack	<input type="checkbox"/> ST	
K-8801	Duostrainer® sink strainer	<input type="checkbox"/> CP	<input type="checkbox"/> Other_____

Product Specification

The undercounter sink shall be 58" (147.3 cm) in length and 6-1/4" (15.9 cm). Sink shall be made of 16 gauge stainless steel. Sink shall be a single compartment. Sink shall include installation hardware. Sink shall include wire basket and rack. Sink shall be Kohler Model K-3157.

UNDERTONE™

Technical Information

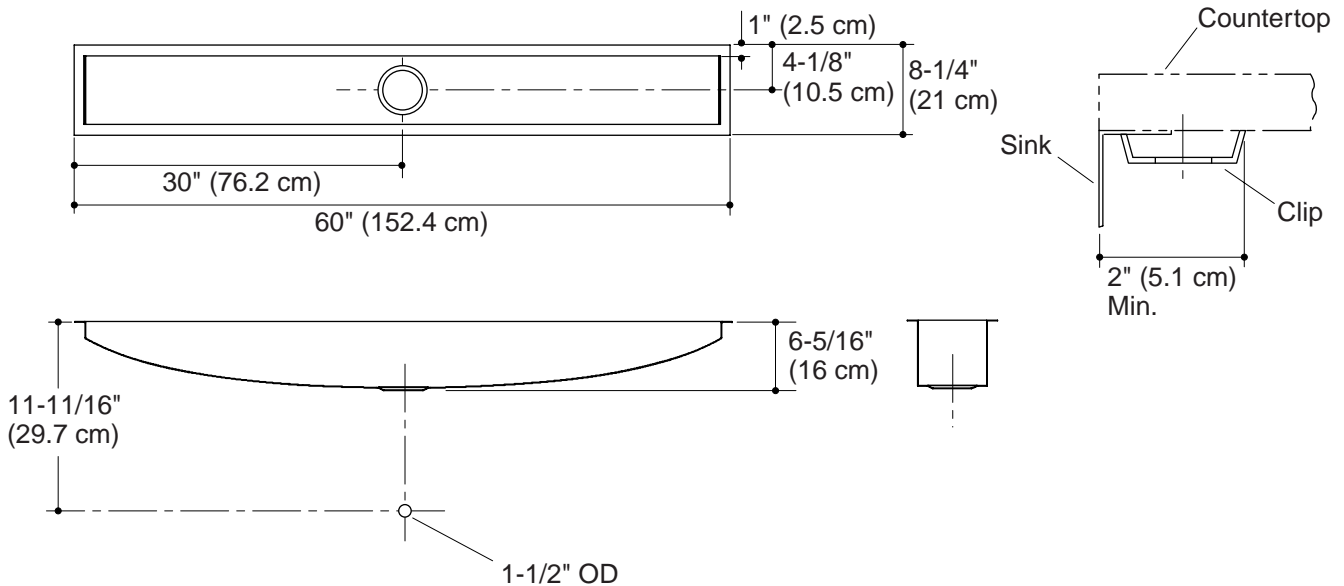
Fixture*:	Basin area	Water depth
Sink	58" (147.3 cm) x 6-1/4" (15.9 cm)	5-15/16" (15.1 cm)
Drain hole	3-5/8" (9.2 cm) D.	
* Approximate measurements for comparison only.		

Included components:	
Hardware kit	91915
Cut-out template	1022023-7

Installation Notes

Install this product according to the installation guide.

Allow a minimum of 2" (5.1 cm) clearance around the sink rim for clip attachment.



Product Diagram