

### UNDERCOUNTER SINK K-3197

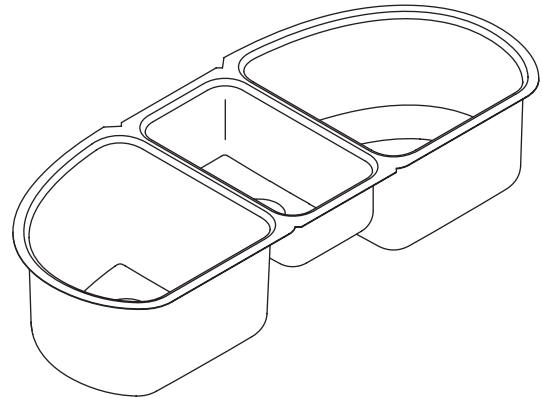
#### Features

- 18 gauge stainless steel
- Undercounter
- Includes installation hardware
- Triple compartment with two equal basins and a center disposal basin
- 42-7/16" (107.8 cm) x 15-3/4" (40 cm)
- 9-1/2" (24.1 cm) deep right and left basins, and 5-1/2" (14 cm) deep center disposal basin

#### Codes/Standards Applicable

Specified model meets or exceeds the following:

- IAPMO/UPC
- ASME A112.19.3
- CSA B45



#### Colors/Finishes

- NA: None applicable

#### Accessories:

- CP: Polished Chrome
- Other: Refer to Price Book for additional colors/finishes

#### Specified Model

Model	Description	Colors/Finishes
K-3197	Undercounter sink	<input type="checkbox"/> NA
<b>Optional Accessories</b>		
K-8801	Duostrainer® sink strainer	<input type="checkbox"/> CP <input type="checkbox"/> Other_____

#### Product Specification:

The undercounter sink shall be 42-7/16" (107.8 cm) in length and 15-3/4" (40 cm) in width. Sink shall be made of 18 gauge stainless steel. Sink shall be triple compartment with two equal basins and one center disposal basin. Sink shall be have 9-1/2" (24.1 cm) deep right and left basins, and 5-1/2" (14 cm) deep center disposal basin. Sink shall include installation hardware. Sink shall be Kohler Model K-3197-\_\_\_\_\_.

# UNDERTONE™

## Technical Information

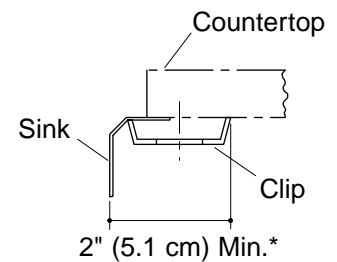
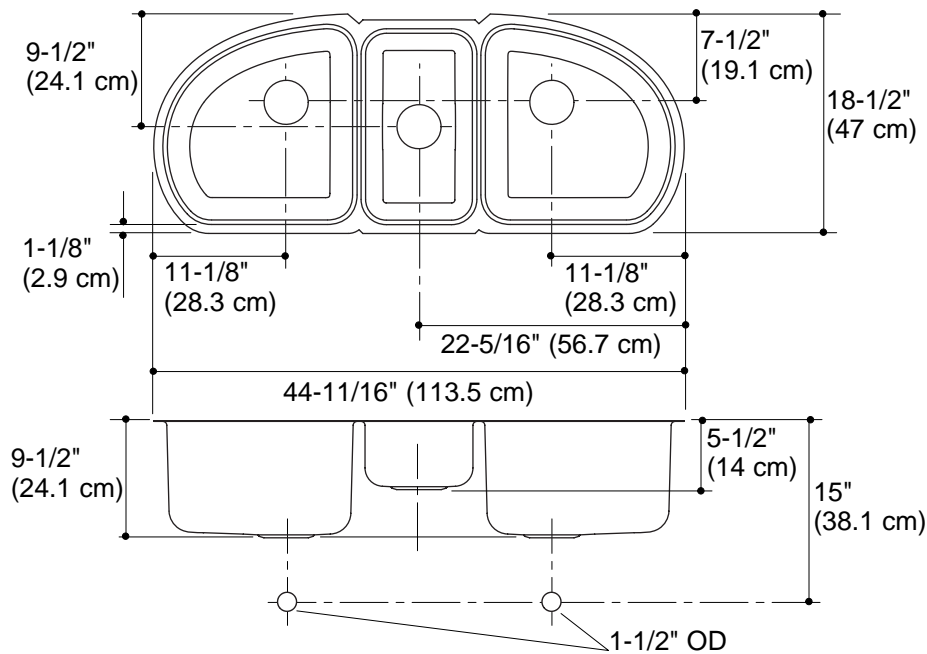
Fixture:*	basin area	water depth
Sink, left	16-1/8" (41 cm) x 15-5/8" (39.7 cm)	9-1/2" (24.1 cm)
Disposal	9" (22.9 cm) x 15-3/4" (40 cm)	5-1/2" (14 cm)
Sink, right	16-1/8" (41 cm) x 15-5/8" (39.7 cm)	9-1/2" (24.1 cm)
Drain Holes	3-5/8" D. (9.2 cm)	

\* Approximate measurements for comparison only.

Included Components:	
Hardware kit (4 required)	91915
Cutout template	1040327-7

## Installation Notes

Install this product according to the installation guide.



\* Allow clearance around sink rim for clip attachment.



## Product Diagram