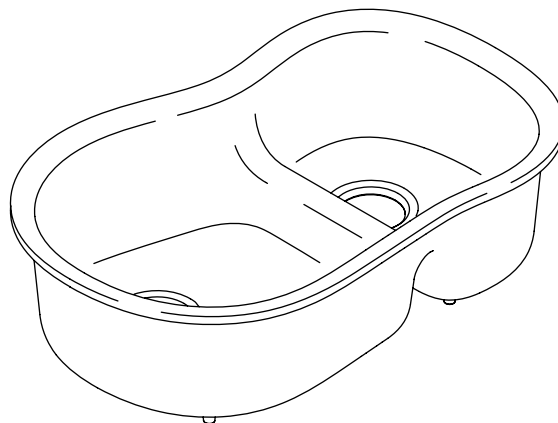


Features

- KOHLER cast iron
- Acid-resistant enamel finish
- Double (small/large) compartment
- Smart Divide™ lowered divider
- 33" (83.8 cm) x 21-1/2" (54.6 cm) x 9-11/16" (24.6 cm)

SELF-RIMMING OR UNDERCOUNTER KITCHEN SINK K-6498



Codes/Standards Applicable

Specified model meets or exceeds the following:

- ASME A112.19.1M
- IAPMO/UPC
- CSA B45

Colors/Finishes

- 0: White
- Other: Refer to Price Book for additional colors/finishes

Accessories:

- CP: Polished Chrome
- ST: Stainless Steel
- Other: Refer to Price Book for additional colors/finishes

Specified Model

Model	Description	Colors/Finishes	
K-6498	Kitchen sink	<input type="checkbox"/> 0	<input type="checkbox"/> Other_____

Optional Accessories			
K-8801	Duostrainer® sink strainer	<input type="checkbox"/> CP	<input type="checkbox"/> Other_____
K-6070	Bottom basin rack for left basin	<input type="checkbox"/> ST	
K-6071	Bottom basin rack for right basin	<input type="checkbox"/> ST	

Product Specification:

The kitchen sink shall be made of cast iron with acid-resistant enamel finish. Sink shall be double (small/large) compartment. Sink shall be self-rimming or undercounter mount. Sink shall be 33" (83.8 cm) in length, 21-1/2" (54.6 cm) in width, and 9-11/16" (24.6 cm) in depth. Sink shall be Kohler Model K-6498-_____.

IRON/TONES™

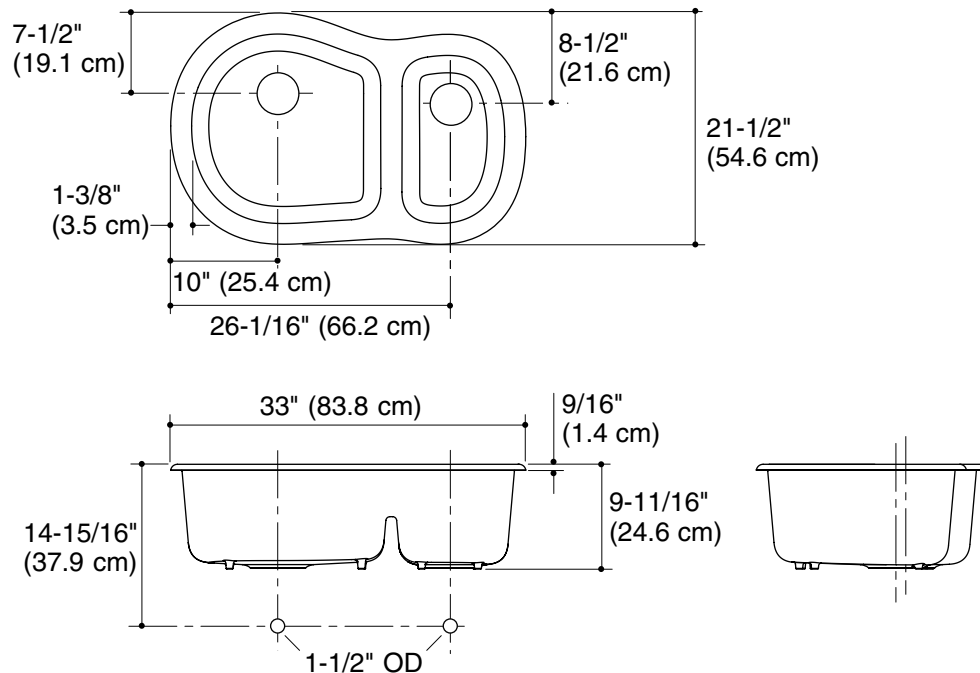
Technical Information

Fixture*:	
Basin area	30-1/4" (76.8 cm) x 18-3/4" (47.6 cm)
Water depth	9" (22.9 cm)
Drain holes	3-7/8" (9.8 cm) D.
* Approximate measurements for comparison only.	
Included components:	
Cut-out template	1048398-7

Installation Notes

Install this product according to the installation guide.

When this sink is installed in a standard base cabinet, a single-hole faucet mounted directly behind the divider is recommended. A multi-hole faucet may require custom cabinetry (such as a bump-out) or modification to the base cabinet.



Product Diagram

IRON/TONES™ SELF-RIMMING OR UNDERCOUNTER KITCHEN SINK