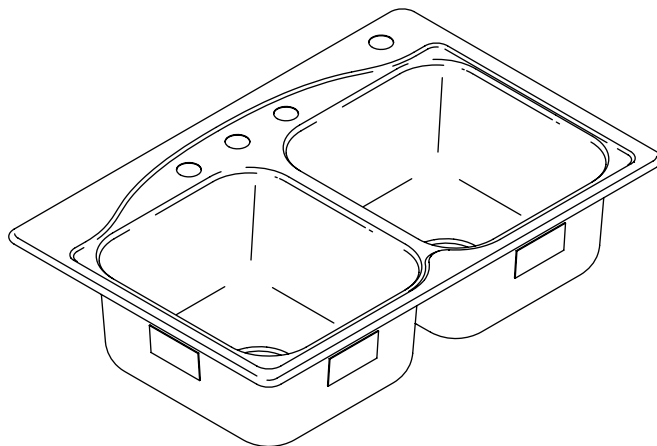


Features

- 20 gauge stainless steel
- Self-rimming
- Double (equal) compartment
- Includes installation hardware
- Highlighted bowl bead
- SilentShield™ sound deadening
- 33" (83.8 cm) x 22" (55.9)

SELF-RIMMING KITCHEN SINK K-3145



Codes/Standards Applicable

Specified model meets or exceeds the following:

- None applicable

Colors/Finishes

- NA: None applicable

Accessories:

- CP: Polished Chrome
- NA: None applicable
- Other: Refer to Price Book for additional colors/finishes

Specified Model

Model	Description	Colors/Finishes	
K-3145-4	4-hole sink	<input type="checkbox"/> NA	
Optional Accessories			
K-3293	Hardwood cutting board	<input type="checkbox"/> NA	
K-8801	Duostrainer® sink strainer	<input type="checkbox"/> CP	<input type="checkbox"/> Other_____

Product Specification

The self-rimming kitchen sink shall be 33" (83.8 cm) in length and 22" (55.9 cm) in width. Sink shall be made of 20 gauge stainless steel. Sink shall be double (equal) compartment. Sink shall be 4-hole (-4). Sink shall include installation hardware. Sink shall have SilentShield™ sound deadening. Sink shall be Kohler Model K-3145-_____-NA.

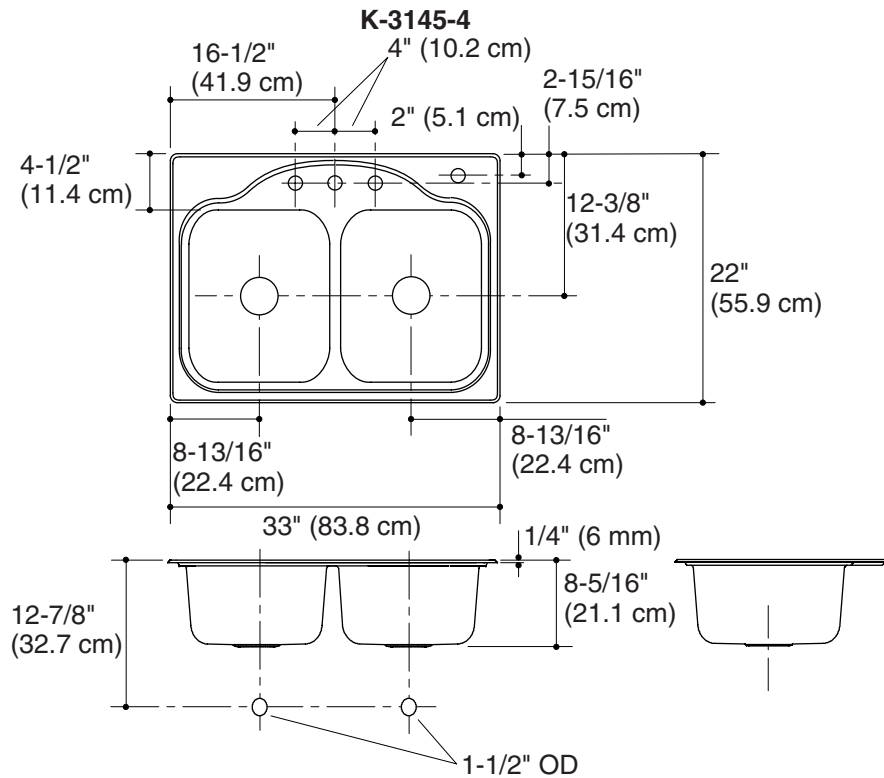
CADENCE™

Technical Information

Fixture*:	basin area	water depth
Sinks	14"-1/8" (35.9 cm) x 15-3/4" (40 cm)	8" (20.3 cm)
Outlet	3-3/4" (9.5 cm) D.	
Faucet holes	1-7/16" (3.7 cm) D.	
* Approximate measurements for comparison only.		

Installation Notes

Install this product according to the installation guide.
Cutout is 32-1/2" (82.6 cm) x 21-1/2" (54.6 cm) with
1-1/2" (3.8 cm) radius corners.



Product Diagram