

UNDERCOUNTER SINK K-3673

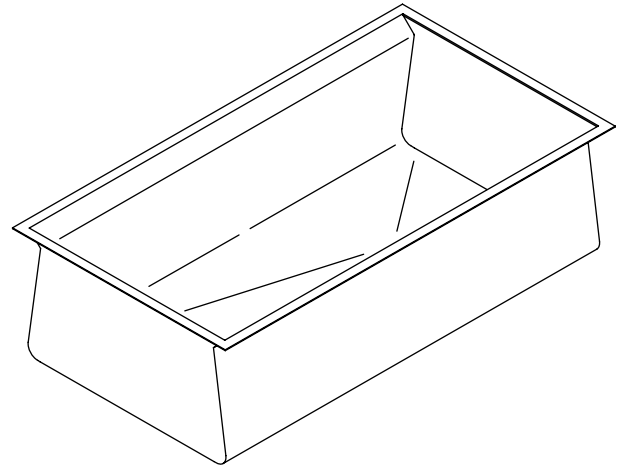
Features

- 16-gauge stainless steel
- Undercounter
- Single compartment
- Includes installation hardware
- Includes wine glass rack and bottom basin rack
- 31-1/2" (80 cm) x 16-1/2" (41.9 cm)

Codes/Standards Applicable

Specified model meets or exceeds the following:

- ASME A112.19.3
- CSA B45
- IAPMO/cUPC



Colors/Finishes

- NA: None applicable

Accessories:

- CP: Polished Chrome
- ST: Stainless Steel
- NA: None applicable
- Other: Refer to Price Book for additional colors/finishes

Specified Model

Model	Description	Colors/Finishes
K-3673	Undercounter sink	<input type="checkbox"/> NA
Included Accessories		
K-6133	Wine glass rack	<input type="checkbox"/> NA
K-6137	Bottom basin rack	<input type="checkbox"/> ST
Optional Accessories		
K-2989	Countertop cutting board	<input type="checkbox"/> NA
K-3140	Bamboo cutting board	<input type="checkbox"/> NA
K-8801	Duostrainer® sink strainer	<input type="checkbox"/> CP <input type="checkbox"/> Other_____

Product Specification

The undercounter sink shall be 31-1/2" (80 cm) in length and 16-1/2" (41.9 cm) in width. Sink shall be made of 16-gauge stainless steel. Sink shall be single compartment. Sink shall include wine glass rack, bottom basin rack, and installation hardware. Sink shall be Kohler Model K-3673-_____.

8 DEGREE™

Technical Information

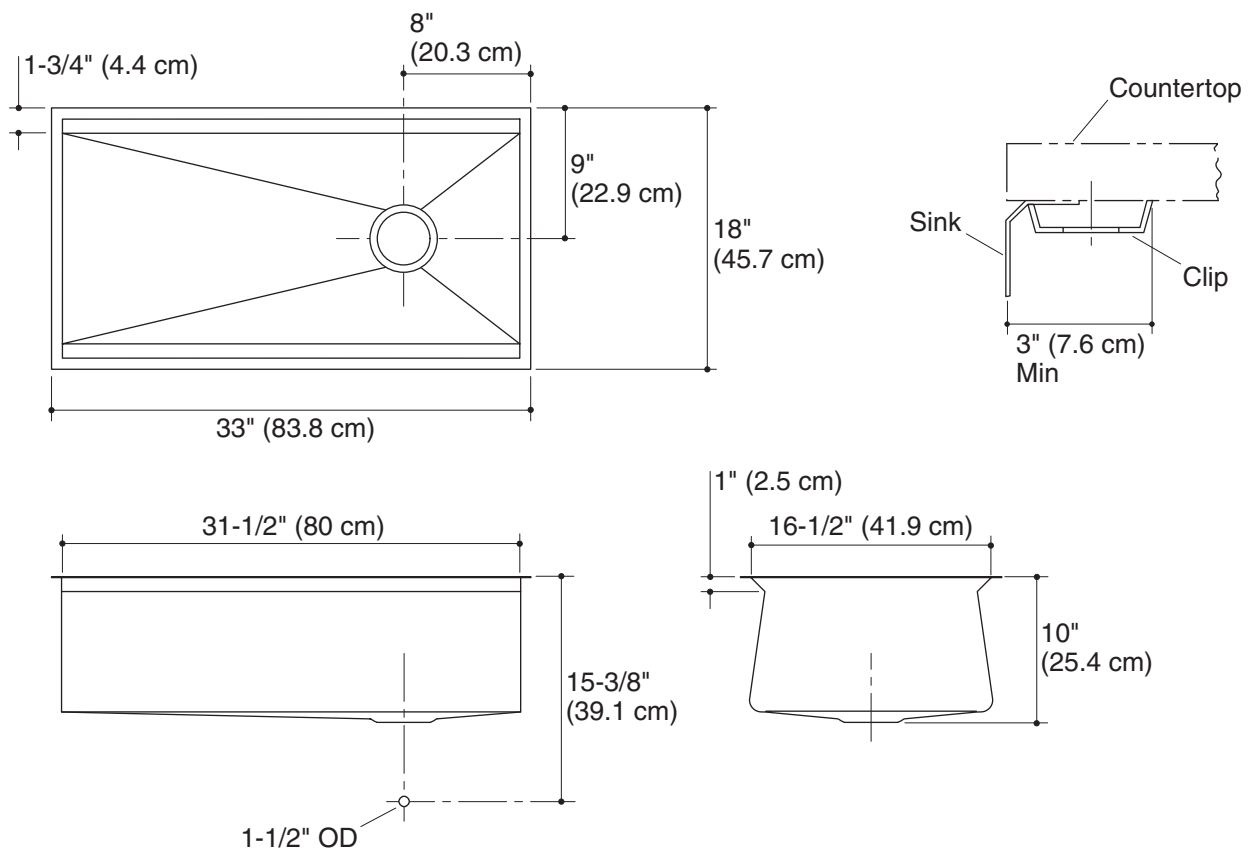
Fixture*:	
Basin area	31-1/2" (80 cm) x 16-1/2" (41.9 cm)
Water depth	9-3/4" (24.8 cm)
Drain hole	3-5/8" (9.2 cm) D.
*Approximate measurements for comparison only.	

Included components:	
Hardware kit	91915
Cut-out template	1093327-7

Installation Notes

Install this product according to the installation guide.

Allow a minimum of 3" (7.6 cm) clearance around the sink rim for clip attachment.



Product Diagram