

Features

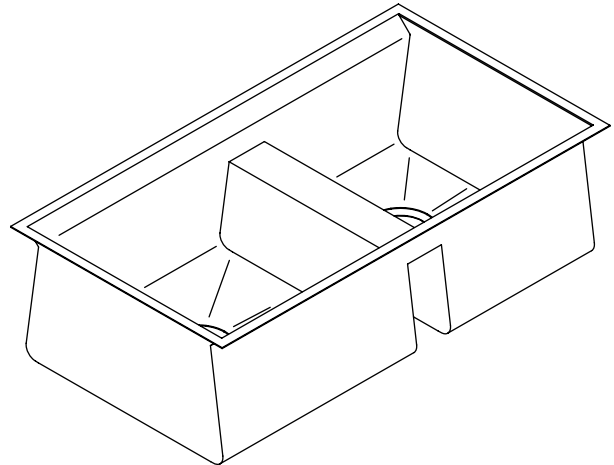
- 16-gauge stainless steel
- Undercounter
- Double (unequal) compartment
- Includes installation hardware
- Includes wine glass rack and bottom basin rack
- 31" (78.7 cm) x 16-1/2" (41.9 cm)

Codes/Standards Applicable

Specified model meets or exceeds the following:

- ASME A112.19.3
- CSA B45
- IAPMO/cUPC

UNDERCOUNTER KITCHEN SINK K-3672



Colors/Finishes

- NA: None applicable

Accessories:

- CP: Polished Chrome
- ST: Stainless Steel
- NA: None applicable
- Other: Refer to Price Book for additional colors/finishes

Specified Model

Model	Description	Colors/Finishes
K-3672	Undercounter kitchen sink	<input type="checkbox"/> NA
Included Accessories		
K-6133	Wine glass rack	<input type="checkbox"/> NA
K-6135	Bottom basin rack (for larger basin)	<input type="checkbox"/> ST
K-6136	Bottom basin rack (for smaller basin)	<input type="checkbox"/> ST
Optional Accessories		
K-3140	Bamboo cutting board (for either basin)	<input type="checkbox"/> NA
K-8801	Duostrainer® sink strainer	<input type="checkbox"/> CP <input type="checkbox"/> Other _____

Product Specification

The undercounter kitchen sink shall be 31" (78.7 cm) in length and 16-1/2" (41.9 cm) in width. Sink shall be made of 16-gauge stainless steel. Sink shall feature a double (unequal) compartment. Sink shall include wine glass rack, bottom basin rack, and installation hardware. Sink shall be Kohler Model K-3672-_____.

8 DEGREE™

Technical Information

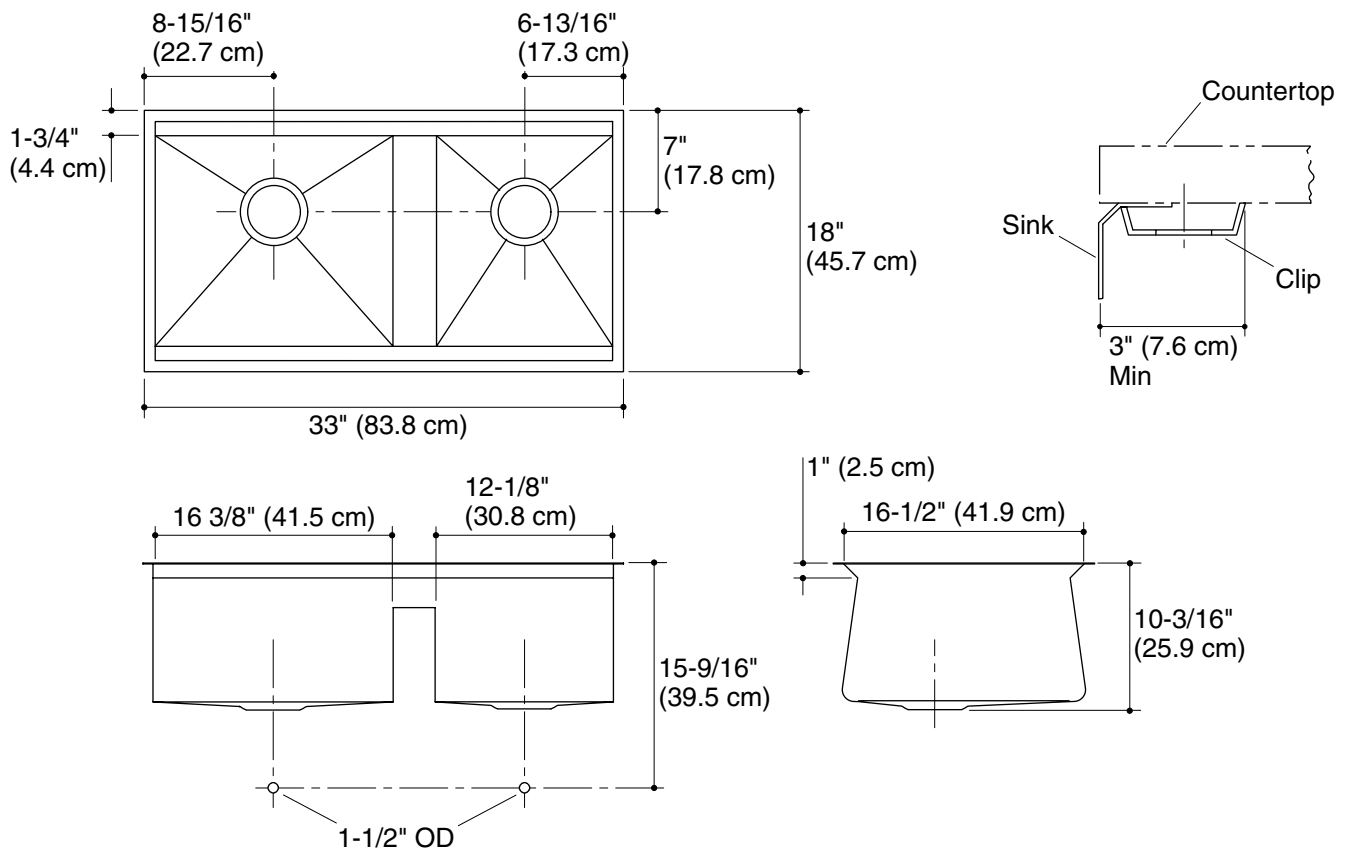
Fixture*:	Basin area	Water depth
Sink, left	16-3/8" (41.6 cm) x 16-1/2" (41.9 cm)	9-3/4" (24.8 cm)
Sink, right	12-1/8" (30.8 cm) x 16-1/2" (41.9 cm)	9-3/4" (24.8 cm)
Drain holes	3-5/8" (9.2 cm) D.	
* Approximate measurements for comparison only.		

Included components:	
Hardware kit	91915
Cut-out template	1093327-7

Installation Notes

Install this product according to the installation guide.

Allow a minimum of 3" (7.6 cm) clearance around the sink rim for clip attachment.



Product Diagram