

PREPARATION SINK K-6448

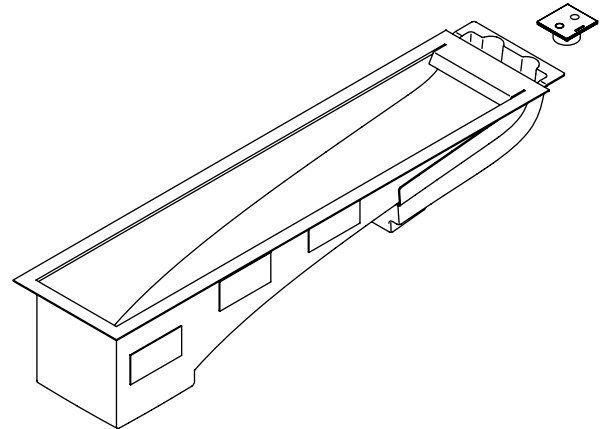
Features

- 16-gauge stainless steel
- Undercounter
- Includes installation hardware
- Cynchro[™] Rinsing Technology allows one-touch control of water and food waste disposal
- Single compartment with integrated water delivery
- Includes electronic control module and user interface
- Includes waste disposal baffle
- 31" (78.7 cm) x 6-1/8" (15.6 cm)

Codes/Standards Applicable

Specified model meets or exceeds the following:

- ASME A112.19.3
- IAPMO/cUPC
- CSA B45
- UL 1951



Colors/Finishes

- NA: None applicable

Accessories:

- CP: Polished Chrome
- BS: Brushed Stainless Steel
- Other: Refer to Price Book for additional colors/finishes

Specified Model

| Model | Description | Colors/Finishes |
|-----------------------------|--------------------------|---|
| K-6448 | Preparation sink | <input type="checkbox"/> NA |
| Optional Accessories | | |
| K-6636 | Countertop cutting board | <input type="checkbox"/> NA |
| K-11352 | Disposal flange | <input type="checkbox"/> CP <input type="checkbox"/> BS <input type="checkbox"/> Other_____ |

Product Specification

The preparation sink shall be 31" (78.7 cm) in length and 6-1/8" (15.6 cm) in width. The sink shall install undercounter and be made of 16-gauge stainless steel. Sink shall feature Cynchro[™] Rinsing Technology for one-touch control of water and food waste disposal. Sink shall feature a single compartment with integrated water delivery. Sink shall include electronic control module, user interface, waste disposal baffle, and installation hardware. Sink shall be Kohler Model K-6448-NA.

CREVASSE™

Technical Information

| | |
|---|----------------------------------|
| Fixture*: | |
| Basin area | 31" (78.7 cm) x 6-1/8" (15.6 cm) |
| Water depth | 7" (17.8 cm) |
| Drain hole | 3-5/8" (9.2 cm) D. |
| * Approximate measurements for comparison only. | |

| | |
|----------------------|-----------|
| Included components: | |
| Hardware kit | 91915 |
| Cut-out template | 1022025-7 |

Required Electrical Service

| |
|---|
| Dedicated circuit required, protected with a Class A Ground-Fault Circuit-Interrupter (GFCI). |
| Control 120 V, 15 A, 60 Hz |
| Locate receptacle within 24" (61 cm) of desired control module location. |

Installation Notes

Install this product according to the installation guide.

Allow a minimum of 2" (5.1 cm) clearance around the sink rim for clip attachment.

Supply with cold water only.

3/4" supply stop recommended for optimum performance. Minimum 1/2" supply stop for intended performance.

3/4" male x 1/2" female threaded reducing adapter required for 1/2" supply installations.

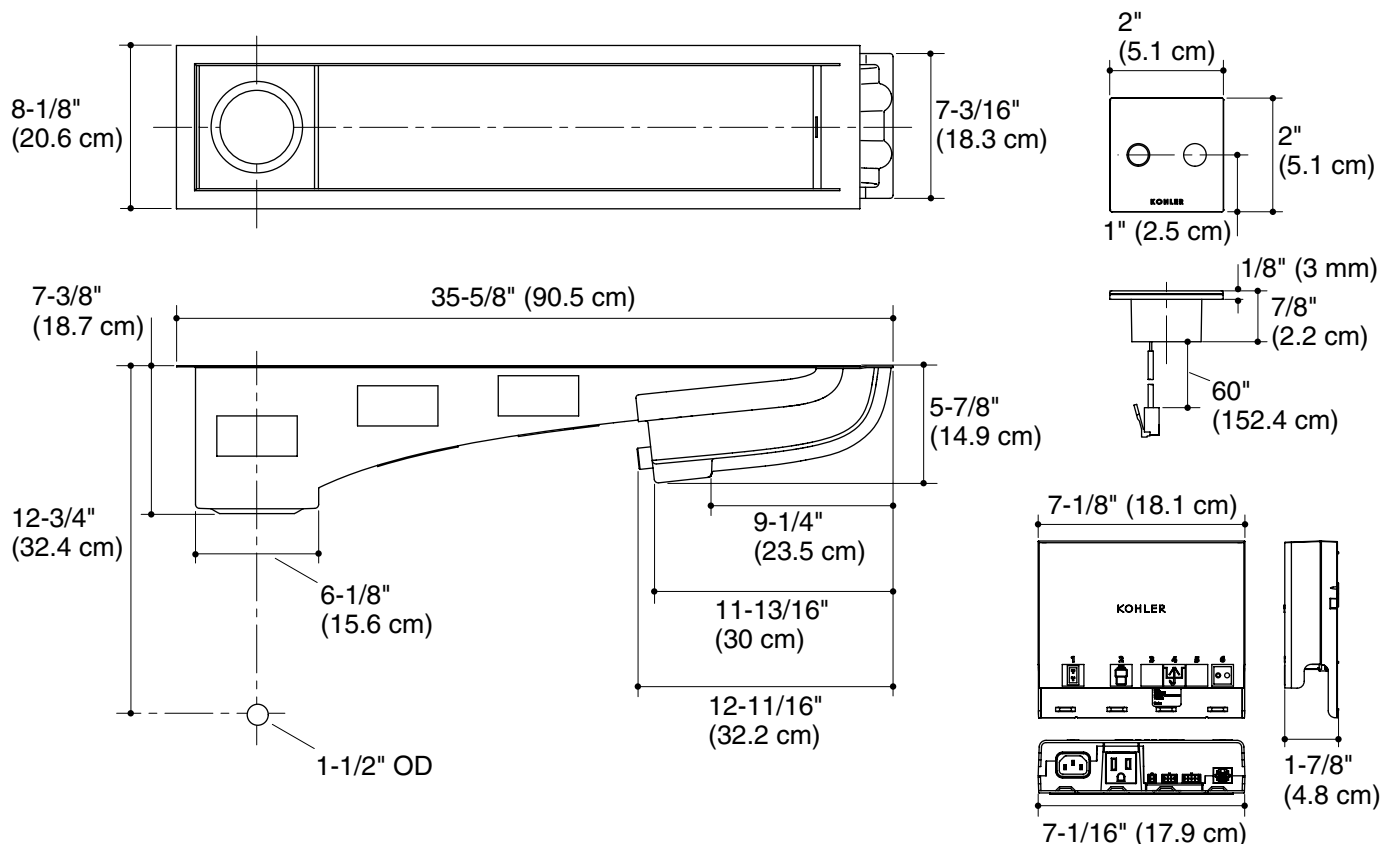
Compatible with continuous feed food waste disposers rated 1 HP or less.

Water hammer arrestor and shut-off required.

Note: Do not install user interface in direct sunlight for maximum lighting visibility.

Note: If installing a faucet, ensure there is no interference with any sink components prior to drilling holes.

Switched receptacle recommended to serve as service disconnect.



Product Diagram