

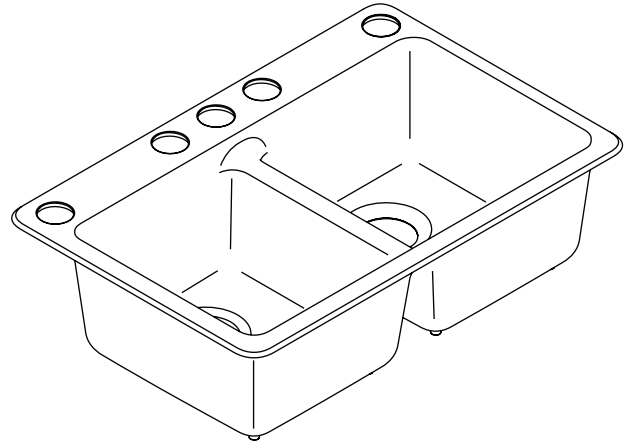
Features

- KOHLER cast iron
- Self-rimming or undercounter
- Acid-resistant enamel finish
- Double (equal) compartment
- Available with 1, 2, 3, 4 or 5 hole
- 33" (83.8 cm) x 22" (55.9 cm)

Codes/Standards Applicable

Specified model meets or exceeds the following:

- ASME A112.19.1
- CSA B45.0
- CSA B45.2



Colors/Finishes

- 0: White
- Other: Refer to Price Book for additional colors/finishes

Accessories

- ST: Stainless Steel

Specified Model

Model	Description	Colors/Finishes	
K-5840-1	Self-rimming kitchen sink with 1 faucet hole	<input type="checkbox"/> 0	<input type="checkbox"/> Other _____
K-5840-2	Self-rimming kitchen sink with 2 faucet holes	<input type="checkbox"/> 0	<input type="checkbox"/> Other _____
K-5840-3	Self-rimming kitchen sink with 3 faucet holes	<input type="checkbox"/> 0	<input type="checkbox"/> Other _____
K-5840-4	Self-rimming kitchen sink with 4 faucet holes	<input type="checkbox"/> 0	<input type="checkbox"/> Other _____
K-5840-5U	Undercounter kitchen sink with 5 faucet holes	<input type="checkbox"/> 0	<input type="checkbox"/> Other _____
Recommended Accessories			
K-6157	Bottom basin rack		<input type="checkbox"/> ST

Product Specification

The self-rimming or undercounter kitchen sink shall be 33" (83.8 cm) in length and 22" (55.9 cm) in width. Sink shall be made of cast iron with acid resistant enamel finish. Sink shall be double (equal) compartment. Self-rimming sink shall be single-hole (-1), 2-hole (-2), 3-hole (-3), 4-hole (-4) and undercounter sink shall be 5-hole (-5U) drilled. Sink shall be Kohler Model K-5840-_____-_____.

ANTHEM™

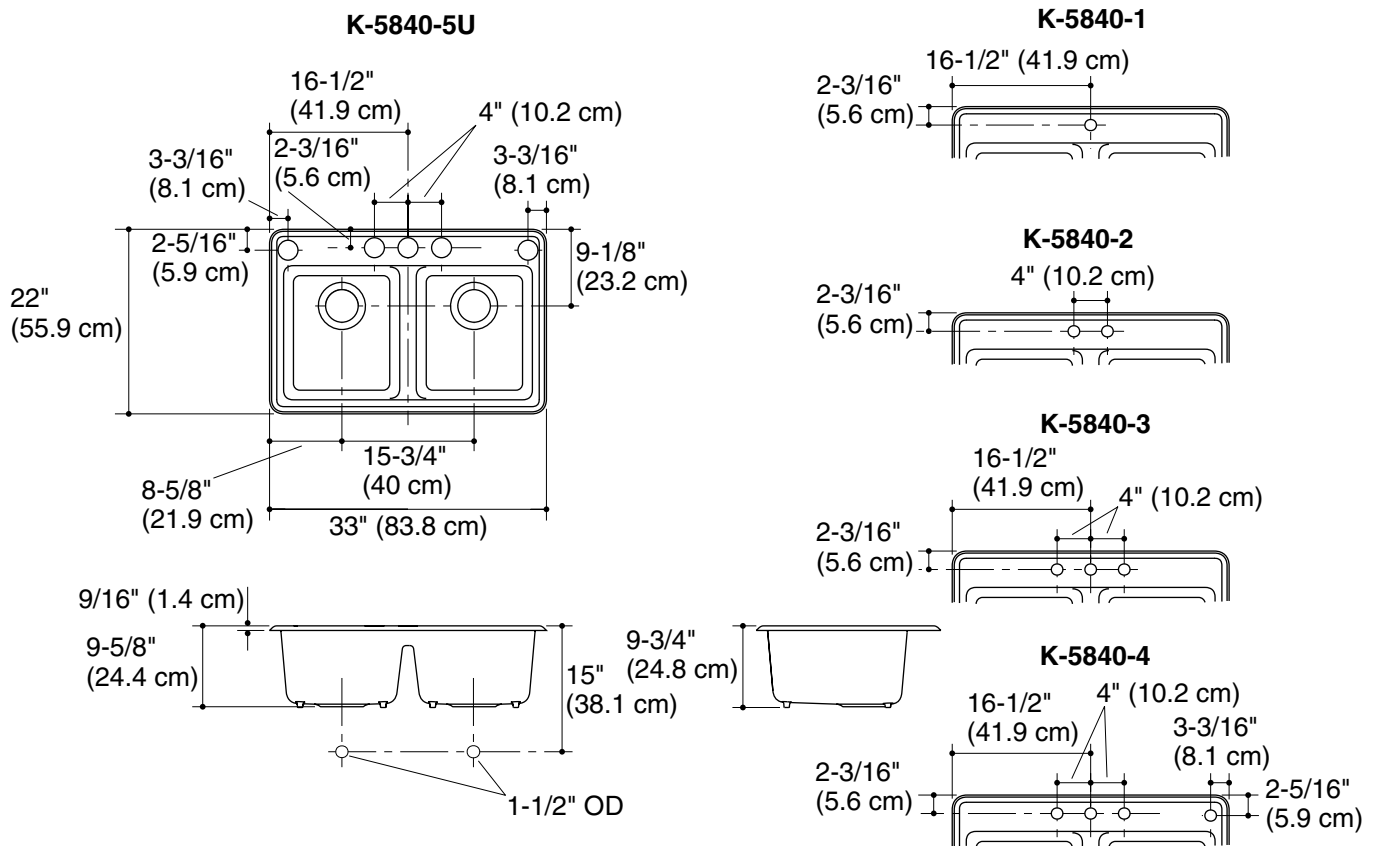
Technical Information

Fixture*:	
Basin area	14" (35.6 cm) x 16-1/8" (41 cm)
Water depth	9" (22.9 cm)
Drain holes	3-7/8" (9.8 cm) D.
Faucet holes	Self Rimming: 1-3/8" (3.5 cm) D. Undercounter: 2-3/8" (6 cm) D.
* Approximate measurements for comparison only.	

Included components:	
Cut-out template	1099425-7
Undermount sink kit 23" (58.4 cm)	1054375

Installation Notes

Install this product according to the installation guide.



Product Diagram