

Features

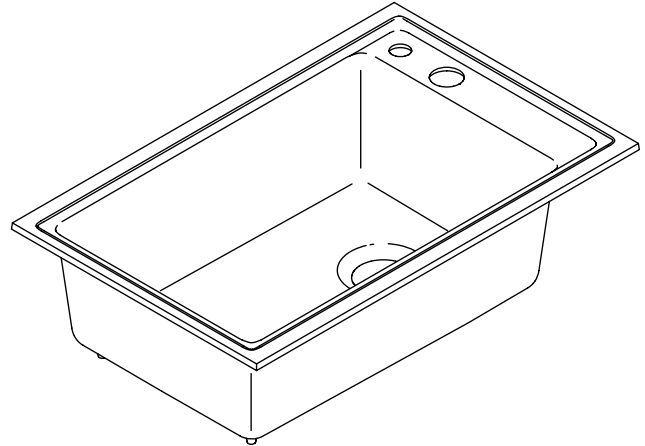
- KOHLER cast iron
- Undercounter
- Acid-resistant enamel finish
- Single compartment
- Available with 1, 2 or 2 Karbon™ faucet hole
- Includes cutting board and bottom basin rack
- Undermount sink kit 23" (58.4 cm) included
- 33" (83.8 cm) x 21-1/8" (53.7 cm)

Codes/Standards Applicable

Specified model meets or exceeds the following:

- ASME A112.19.1/CSA B45.2

UNDERCOUNTER KITCHEN SINK K-6410



Colors/Finishes

- 0: White
- Other: Refer to Price Book for additional colors/finishes

Accessories

- ST: Stainless Steel
- CP: Polished Chrome
- NA: None applicable
- Other: Refer to Price Book for additional colors/finishes

Specified Model

Model	Description	Colors/Finishes	
K-6410-1	Undercounter kitchen sink, single-hole	<input type="checkbox"/> 0	<input type="checkbox"/> Other _____
K-6410-2	Undercounter kitchen sink, 2-hole	<input type="checkbox"/> 0	<input type="checkbox"/> Other _____
K-6410-2K	Undercounter kitchen sink, 2-hole for Karbon™ faucet	<input type="checkbox"/> 0	<input type="checkbox"/> Other _____

Included Accessories			
K-6128	Hardwood cutting board		<input type="checkbox"/> NA
K-6129	Stainless steel bottom basin rack	<input type="checkbox"/> ST	

Optional Accessories			
K-5807	Undermount sink kit 36" (91.4 cm)		<input type="checkbox"/> NA
K-8801	Duostrainer® sink strainer	<input type="checkbox"/> CP	<input type="checkbox"/> Other _____

Product Specification

The undercounter kitchen sink shall be 33" (83.8 cm) in length and 21-1/8" (53.7 cm) in width. Sink shall be made of cast iron with acid-resistant enamel finish. Sink shall be single compartment. Sink shall be single hole (-1), 2-hole (-2), or 2-hole for Karbon™ faucet (-2K). Sink shall include cutting board, bottom basin rack, and 23" (58.4) undermount sink kit. Sink shall be Kohler Model K-6410-____-____.

INDIO

Technical Information

Fixture*:	
Basin area	16-3/4" (42.5 cm) x 26" (66 cm)
Water depth	9" (22.9 cm)
Drain hole	3-7/8" (9.8 cm) D.
* Approximate measurements for comparison only.	

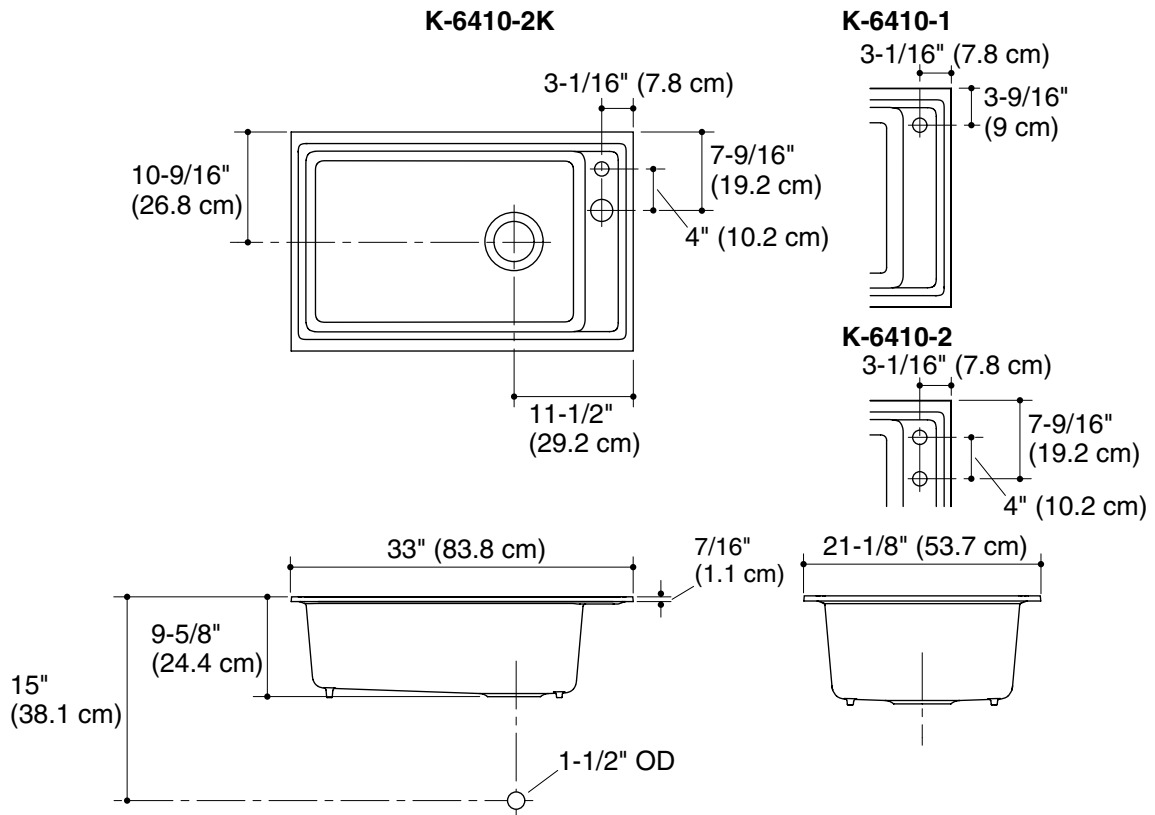
Holes	K-6410-1	K-6410-2	K-6410-2K
Faucet	2-3/8" (6 cm) D.	2-3/8" (6 cm) D.	1-3/8" (3.5 cm) D. 2-1/8" (5.4 cm) D.

Included components:	
Cut-out template	1106715-7
Undermount sink kit 23" (58.4 cm)	1054375

Installation Notes

Install this product according to the installation guide.

Countertop manufacturer or cutter must use the cut-out template provided with the product, or a current one provided by Kohler Co. (call 1-800-43-FOCUS). Kohler Co. is not responsible for cut-out errors when the incorrect cut-out template is used.



Product Diagram

INDIO UNDERCOUNTER KITCHEN SINK

Page 2 of 2
1110058-4-A

THE BOLD LOOK
OF **KOHLER**